



Modflex[®] Adjust-a-Bowl[®] | K-25042-SS

Flushometer bowl with top spud

Features

- Elongated bowl offers added room and comfort
- Siphon jet
- 1.28 or 1.6 gpf (4.8 or 6.0 lpf) depending on flushometer specified
- 10-1/2" x 7-1/2" (267 x 190 mm) water surface
- Minimal design detail and partially concealed skirt for ease of cleaning
- Easy-to-clean low-profile bolt caps
- Pair with KOHLER[®] flushometers and seats for a complete solution
- Supports static load of 2,500 lbs
- Antimicrobial finish inhibits the growth of mold-, mildew-, stain-, and odor-causing bacteria on the fixture surface. This product does not protect users against bacteria, viruses, or other disease organisms. Always clean and wash this product thoroughly before and after each use
- 1-1/2" (38 mm) top spud



Sustainability



1-800-4KOHLER (1-800-456-4537)
Kohler Co. reserves the right to make revisions without notice to product specifications.
For the most current specification sheet, go to www.kohler.com USA or www.kohler.ca Canada.
4-15-2026 8:0 - US-CA

THE BOLD LOOK
OF **KOHLER**

Codes/Standards

For ADA compliance, the rear grab bar may need to be shifted or split.

ADA, OBC, CSA B651 compliant when installed to the specific requirements of these regulations.

Accessibility standards may require controls to be located on the open side of the toilet.

Plumbing codes may require elongated toilets and elongated, open-front seats in public bathrooms.

This product should be used with a WaterSense labeled counterpart with the same rated flush volume to ensure the complete system meets the requirements of this specification for water efficiency and performance.



ASME A112.19.2/CSA B45.1
 DOE - Energy Policy Act 1992
 EPA WaterSense®
 California Energy Commission (CEC)
 ADA
 ICC/ANSI A117.1
 CSA B651
 OBC

Technical Information

Installation Type:	Floor-mount
Rough-in:	5"
Flush Type:	Siphon
Flush Rate:	1.28 or 1.6 gpf (4.8 or 6 lpf)
Bowl Shape:	Elongated
Seat-Mounting Holes:	5-1/2" (140 mm)
Waste Outlet:	Wall
Trapway Size:	2-1/8" (54 mm)
Trapway Type:	Concealed
Water Surface Size:	10-1/2" x 7-1/2" (267 mm x 191 mm)
Rim to Water Surface:	5-3/4" (146 mm)

Pressure/Fixture Supply Requirements

Minimum Flowing Pressure:	25 psi (172.4 kPa)
Minimum Flow Rate:	25 gpm (94.6 l/min)

Material

- Vitreous china

Technology

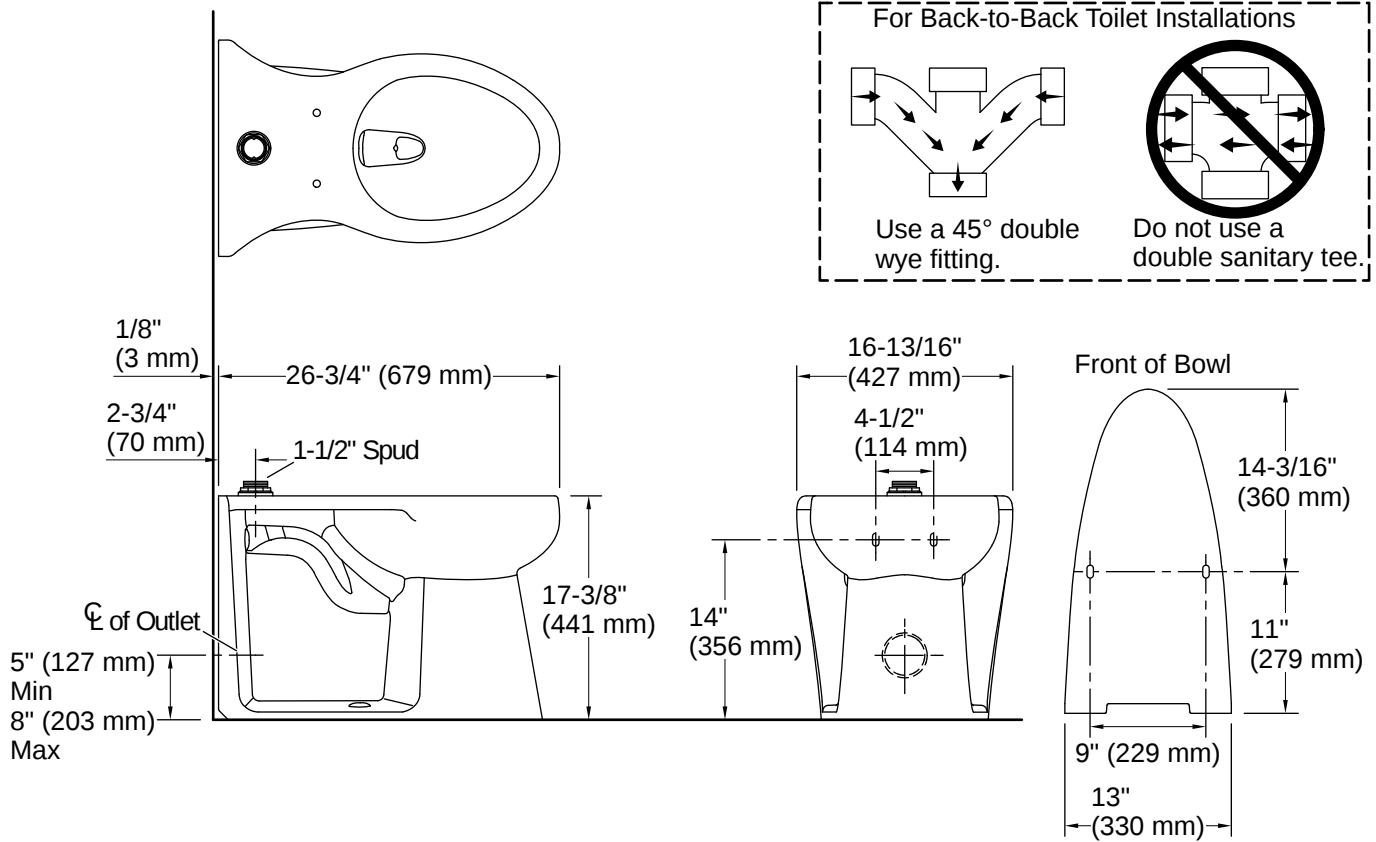
- Wall-to-floor toilet conversion solution, perfect for healthcare or any other facility interested in addressing load concerns
- Eliminates need for a gut renovation to remove in-wall carrier and outlet and install new floor outlet
- Adjustability allows toilet to attach to outlet of the horizontal branch, even if positioned next to the vertical stack
- Engineered for strong flush performance in buildings with lower water pressure or flow
- Design eliminates gas leaks, splashing and paper shredding

Warranty

See website for detailed warranty information.

KOHLER® One-Year Limited Warranty





Installation

- Floor-mount
- Included brackets attach to wall carrier and secure bowl to both wall and floor
- Designed to cover existing footprint of any wall bowl on the market
- Adjustable connector enables replacement of wall-mount bowls with rim heights from 15" to 18"

Installation Notes

Install this product according to the installation instructions.

For back-to-back toilet installations: Use only a 45° double wye fitting.

This product is designed for a floor-mount installation with a wall-outlet.

Product dimensions are nominal and may vary per ASME A112.19.2 tolerances.

This product should be used with a WaterSense labeled counterpart with the same rated flush volume to ensure the complete system meets the requirements of this specification for water efficiency and performance.

ADA, OBC, CSA B651 compliant when installed to the specific requirements of these regulations.

Plumbing codes may require elongated toilets and elongated, open-front seats in public bathrooms.

Accessibility standards may require controls to be located on the open side of the toilet.

