

## Parallel® | K-24804-4

Low single-handle bathroom sink faucet, 1.2 gpm

### Features

- A single handle controls both on/off activation and temperature setting
- 1.2 gpm (4.5 lpm) maximum flow rate at 60 psi (4.14 bar)
- KOHLER® ceramic disc valves exceed industry longevity standards for a lifetime of durable performance
- Metal pop-up drain with lift rod and tailpiece
- Coordinates with other products in the Parallel collection



### Sustainability



### Available Colors/Finishes

*Color tiles intended for reference only.*

- SN Vibrant Polished Nickel
- BV Vibrant Brushed Bronze
- BL Matte Black
- 2MB Vibrant Brushed Moderne Brass
- TT Vibrant Titanium



## Codes/Standards

ADA, OBC, CSA B651 compliant when installed to the specific requirements of these regulations.



ADA CSA B651 OBC

ASME A112.18.1/CSA B125.1  
NSF/ANSI/CAN 372  
NSF/ANSI/CAN 61  
DOE - Energy Policy Act 1992  
EPA WaterSense®  
California Energy Commission (CEC)  
NSF/ANSI/CAN 61|NSF/ANSI/CAN 372  
ADA  
ICC/ANSI A117.1  
CSA B651  
OBC

## Technical Information

All product dimensions are nominal.

### Handle

Handle Style/ Type: Lever

### Spout

Spout Reach: 4-11/16" (120 mm)

### Flow Rate

Faucet Flow Rate: 1.2 gpm (4.5 l/min)

## Valves

Included Valves: Ceramic disc, Thermostatic, Volume Control

## Material

- Premium metal construction for durability and reliability
- KOHLER finishes resist corrosion and tarnishing

## Recommended Products/Accessories

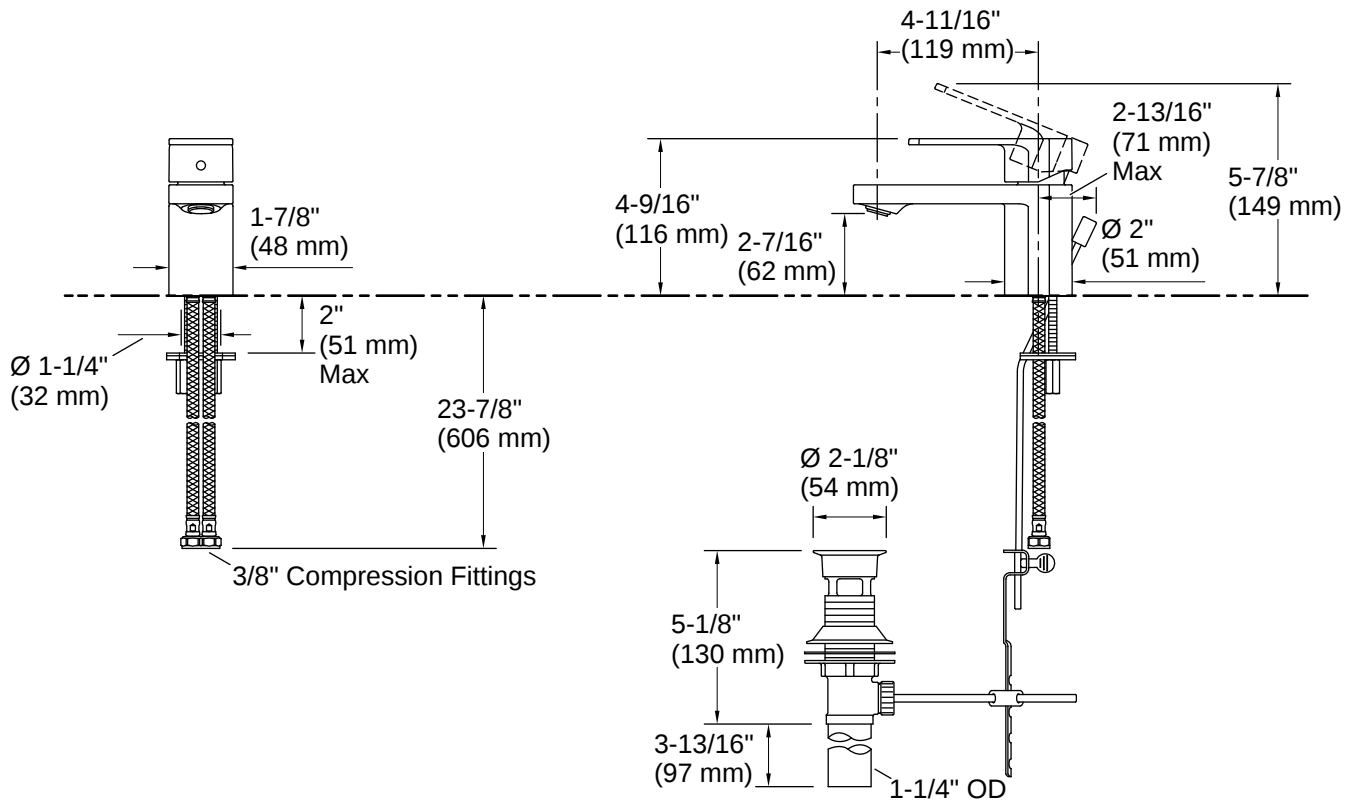
K-23726 Drain treatment  
 K-23723 Faucet cleaner  
 K-21897 Double toilet paper holder  
 K-23527 Vertical toilet paper holder  
 K-23529 Robe hook  
 K-23524 18" towel bar  
 K-23525 24" towel bar  
 K-23526 Towel arm  
 K-23528 Pivoting toilet paper holder

## Warranty

See website for detailed warranty information.

KOHLER® Faucet Lifetime Limited Warranty





## Installation

- Single hole
- Preattached flexible supply lines simplify installation

## Installation Notes

*Install this product according to the installation instructions.*

ADA compliant for handles only.

ADA, OBC, CSA B651 compliant when installed to the specific requirements of these regulations.

