

## Graze® | K-24134

Beverage faucet

### Features

- Transitional styling
- Integrated air gap offers reverse osmosis (RO) compatibility
- Right-side lever handle
- 9-5/8" (244 mm) spout height
- Faucet spout rotates 360° and offers clearance for filling glasses and pitchers
- 1.5 gpm (5.7 lpm) maximum flow rate at 60 psi (4.14 bar)
- Works with KOHLER® filtration systems or with other select filtration systems as a cold-water tap
- KOHLER® ceramic disc valves exceed industry longevity standards for a lifetime of durable performance



### Sustainability



### Available Colors/Finishes

*Color tiles intended for reference only.*

- CP Polished Chrome
- SN Vibrant Polished Nickel
- AF Vibrant French Gold
- VS Vibrant Stainless
- BV Vibrant Brushed Bronze
- BL Matte Black
- 2MB Vibrant Brushed Moderne Brass
- TT Vibrant Titanium



---

## Codes/Standards

ADA, CSA B651 compliant when installed to the specific requirements of these regulations.

ADA    CSA B651

ASME A112.18.1/CSA B125.1  
NSF/ANSI/CAN 372  
NSF/ANSI/CAN 61  
DOE - Energy Policy Act 1992  
California Energy Commission (CEC)  
ADA  
ICC/ANSI A117.1  
CSA B651

---

## Technical Information

All product dimensions are nominal.

### Handle

Handle Style/ Type:                      Lever

### Spout

Spout Reach:                                5-9/16" (141 mm)

### Flow Rate

Faucet Flow Rate:                        1.5 gpm (5.7 l/min)

---

## Valves

Included Valve:                            Ceramic disc

---

## Material

- Premium metal construction
  - KOHLER finishes resist corrosion and tarnishing
- 

## Recommended Products/Accessories

K-23723 Faucet cleaner

K-22155 Reverse osmosis (RO) water filtration system

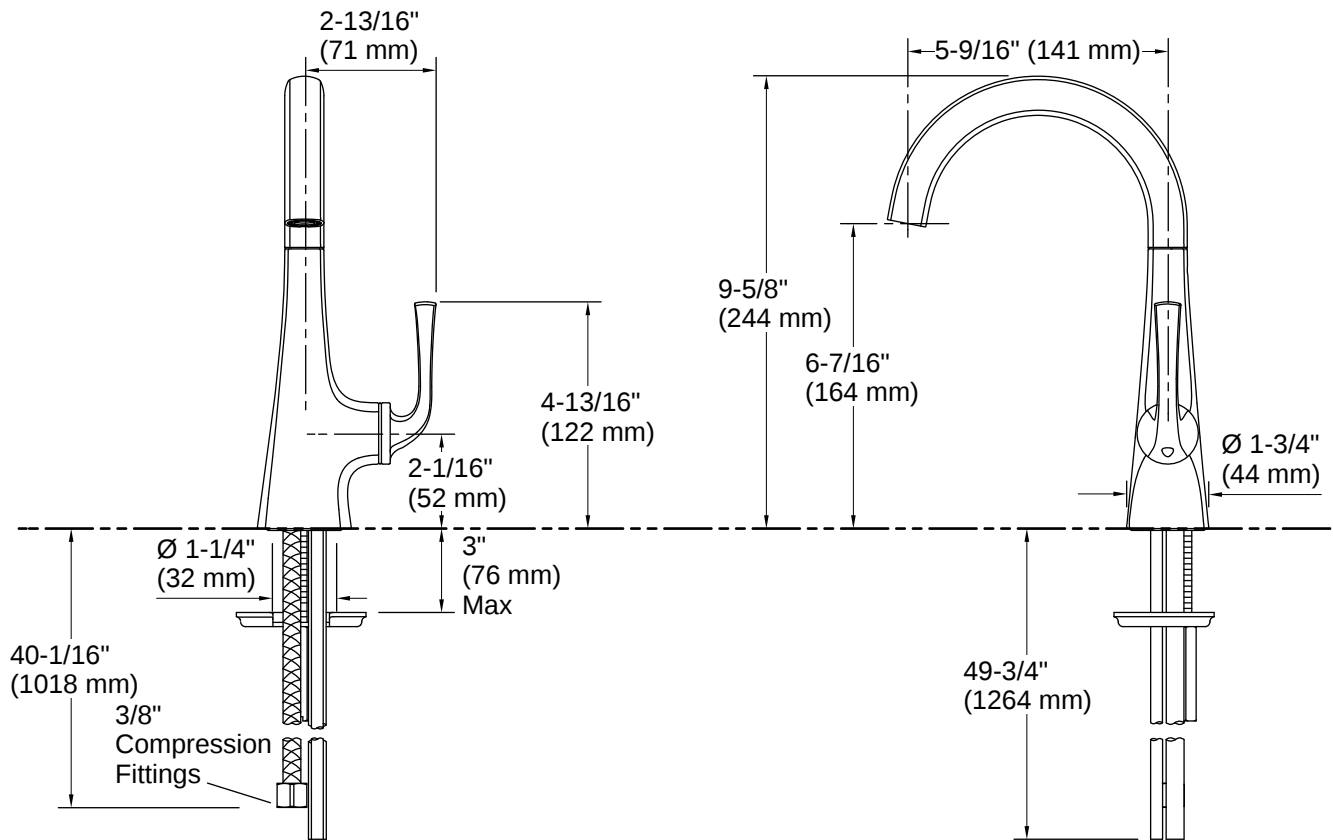
---

## Warranty

See website for detailed warranty information.

KOHLER® Faucet Lifetime Limited Warranty





## Installation

- Single hole

## Installation Notes

*Install this product according to the installation instructions.*

ADA compliant for faucet handles only

ADA, CSA B651 compliant when installed to the specific requirements of these regulations.

