



# Stargaze® | K-24011-W1

60-1/4" x 34-1/4" freestanding bath with Bask® heated surface and fluted shroud

## Features

- Bask® heated surface creates spa-like relaxation with soothing warmth on your back, shoulders, and neck
- Three heat settings allow you to customize the surface temperature
- Freestanding design creates a striking focal point in your bathing area
- Integral lumbar support on both ends
- 16" (406 mm) depth offers a deep soaking experience
- Wide deck along one side simplifies installation and provides support for getting in and out of bath
- Fluted shroud
- Textured bottom surface



## Available Colors/Finishes

*Color tiles intended for reference only.*

- 0 White



## Codes/Standards

CSA B45.5/IAPMO Z124  
 ASTM E162  
 ASTM E662  
 CSA C22.2 No. 218.2  
 cUL Listed  
 UL Listed

## Technical Information

*All product dimensions are nominal.*

Drain Location:	Center
Drain Hole Diameter:	2-1/4" (57 mm)
Basin Area, Bottom:	40-5/16" x 22-1/2" (1024 mm x 572 mm)
Basin Area, Top:	49-3/8" x 25-7/8" (1254 mm x 657 mm)
Water Depth:	16-1/16" (408 mm)
Water Capacity:	60 gal (227.1 L)
Minimum Floor Load:	54 lbs/ft <sup>2</sup>
Weight:	156 lbs (70.8 kg)

## Material

- Acrylic

## Recommended Products/Accessories

- K-23726 Drain treatment
- K-23732 Tub & shower cleaner
- K-T37393 Traditional rotary-turn bath drain trim
- K-T37395 Bath drain trim
- K-T37396 Traditional push-button bath drain trim

## Required Products/Accessories

- K-T37392 Rotary-turn bath drain trim
- K-T37391 Rotary-turn bath drain trim

or

- K-78438 30" cable bath drain

## Required Electrical Service

One circuit required, protected with Class A Ground-Fault Circuit-Interrupter (GFCI). Outside North America, this device may be known as a Residual Current Device (RCD).

Heated Surface: 120 V, 15 A, 60 Hz

## Electrical Component Ratings

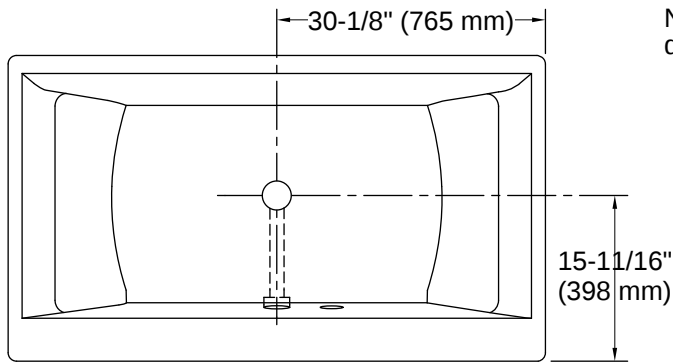
Heated Surface: 120 V, 0.5 A, 50/60 Hz, 65 W

## Warranty

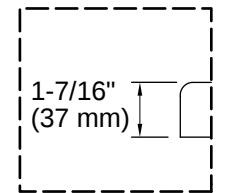
*See website for detailed warranty information.*

KOHLER® Hydrotherapy Components Five-Year Limited Warranty

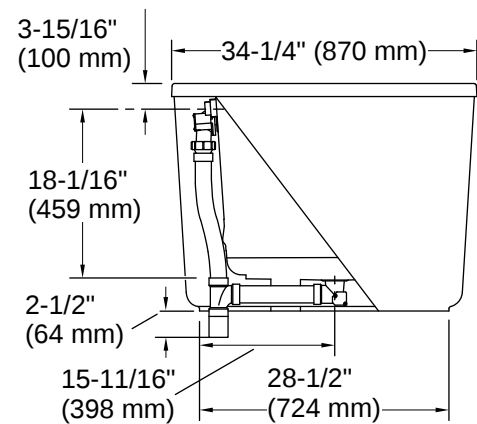
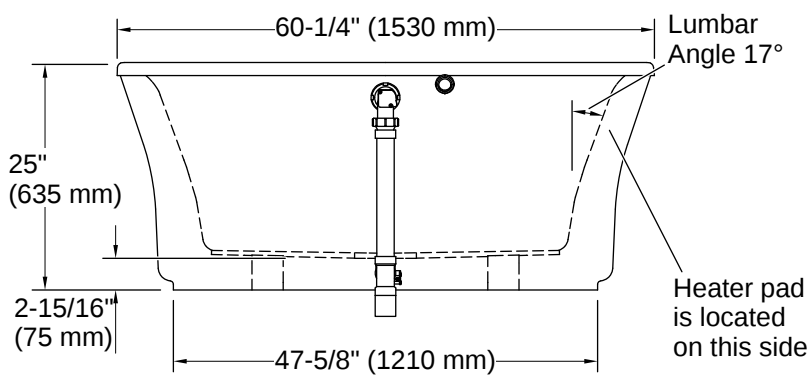




No change in measurement if connected with drain illustrated. (K-7265)



**Drop-In Rim Detail**



**Installation**

- Center drain
- Freestanding
- PureFlo drains are not recommended for a deck-mount faucet installation

**Installation Notes**

*Install this product according to the installation instructions.*

Measure your actual product for rough-in details.  
 The hot water supply should be 70% of the capacity of the bath or greater. Installations will vary.  
 If installing a rim-mount faucet, make sure there is no interference above or below the deck before drilling any holes.

