

Sunstruck® | K-24002-W1

60" x 34" freestanding bath with Bask® heated surface and fluted shroud

Features

- Bask® heated surface creates spa-like relaxation with soothing warmth on your back, shoulders, and neck
- Three heat settings allow you to customize the surface temperature
- Freestanding design creates a striking focal point in your bathing area
- 16" (406 mm) depth offers a deep soaking experience
- Integral lumbar support
- Textured bottom surface
- Wide ledge on one side is ideal for deck-mount faucet and/or handshower
- Fluted shroud



Available Colors/Finishes

Color tiles intended for reference only.

0 White



1-800-4KOHLER (1-800-456-4537)

Kohler Co. reserves the right to make revisions without notice to product specifications.
For the most current specification sheet, go to www.kohler.com USA or www.kohler.ca Canada.
4-15-2026 3:8 - US-CA

Codes/Standards

CSA B45.5/IAPMO Z124
 ASTM E162
 ASTM E662
 CSA C22.2 No. 218.2
 cUL Listed
 UL Listed

Technical Information

All product dimensions are nominal.

| | |
|----------------------|---------------------------------------|
| Drain Location: | Center |
| Drain Hole Diameter: | 2-1/4" (57 mm) |
| Basin Area, Bottom: | 39-5/8" x 23-5/8" (1006 mm x 599 mm) |
| Basin Area, Top: | 49-9/16" x 25-1/2" (1259 mm x 648 mm) |
| Water Depth: | 16" (406 mm) |
| Water Capacity: | 60 gal (227.1 L) |
| Minimum Floor Load: | 49.8 lbs/ft ² |
| Weight: | 170 lbs (77.1 kg) |

Material

- Acrylic

Recommended Products/Accessories

- K-23726 Drain treatment
- K-23732 Tub & shower cleaner
- K-T37393 Traditional rotary-turn bath drain trim
- K-T37395 Bath drain trim
- K-T37396 Traditional push-button bath drain trim
- K-7265 Brass toe tap bath drain

Required Products/Accessories

- K-T37392 Rotary-turn bath drain trim
- K-T37391 Rotary-turn bath drain trim

or

- K-78438 30" cable bath drain

Required Electrical Service

One circuit required, protected with Class A Ground-Fault Circuit-Interrupter (GFCI). Outside North America, this device may be known as a Residual Current Device (RCD).

Heated Surface: 120 V, 15 A, 60 Hz

Electrical Component Ratings

Heated Surface: 120 V, 0.5 A, 50/60 Hz, 65 W

Warranty

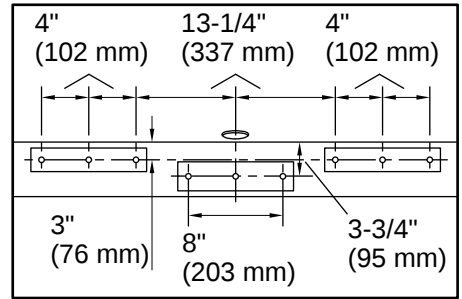
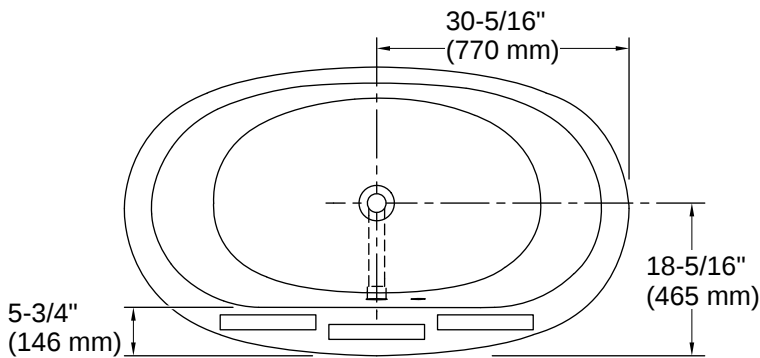
See website for detailed warranty information.

KOHLER® One-Year Limited Warranty

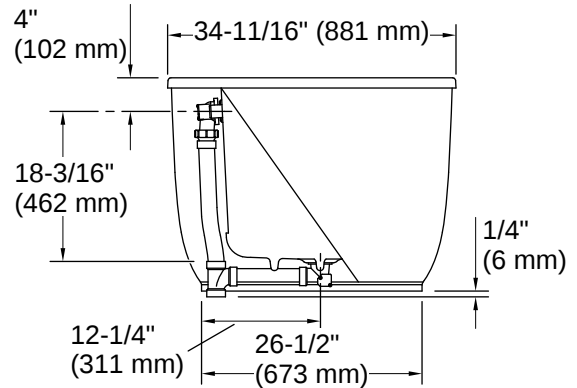
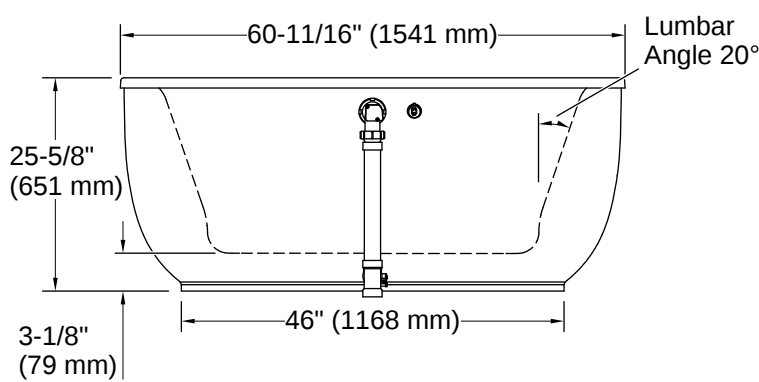


No change in measurements if connected with drain illustrated. (K-37386)

☐ Recommended Faucet Location



Recommended Faucet Hole Location



Installation

- Center drain
- Freestanding
- PureFlo drains are not recommended for a deck-mount faucet installation

Installation Notes

Install this product according to the installation instructions.

Measure your actual product for rough-in details.

The hot water supply should be 70% of the capacity of the bath or greater. Installations will vary.

If installing a rim-mount faucet, make sure there is no interference above or below the deck before drilling any holes.

