



Memoirs® | K-2339

20" rectangular undermount bathroom sink








Features

- Refined rectangular basin
- No faucet holes; requires wall- or counter-mount faucet
- Coordinates with other products in the Memoirs collection



Available Colors/Finishes

Color tiles intended for reference only.

- | | | |
|---|----|-------------|
|  | 0 | White |
|  | 96 | Biscuit |
|  | NY | Dune |
|  | 95 | Ice Grey |
|  | 7 | Black Black |
|  | 17 | Teal |
|  | 42 | Aspen Green |



1-800-4KOHLER (1-800-456-4537)

Kohler Co. reserves the right to make revisions without notice to product specifications.
For the most current specification sheet, go to www.kohler.com USA or www.kohler.ca Canada.
4-15-2026 3:50 - US-CA

THE BOLD LOOK
OF **KOHLER**®

Codes/Standards

ADA compliant when installed to the specific requirements of these regulations.

ADA

ASME A112.19.2/CSA B45.1

ADA

ICC/ANSI A117.1

Technical Information

With Overflow:	Yes
Drain Hole Diameter:	1-3/4" (44 mm)
Basin Configuration:	Single Bowl
Basin Length:	18-7/16" (468 mm)
Basin Width:	14-13/16" (376 mm)
Basin Depth:	7-1/8" (181 mm)

Material

- Vitreous china
-

Recommended Products/Accessories

K-23726 Drain treatment

K-23725 Cast iron cleaner

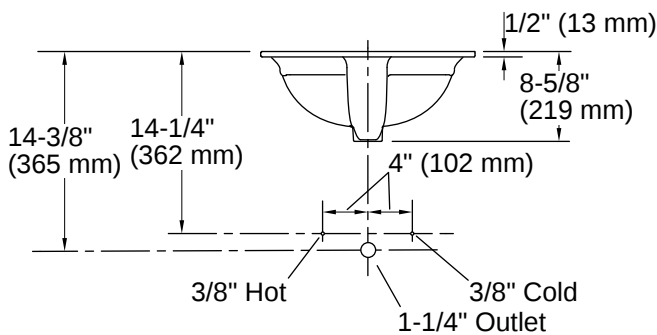
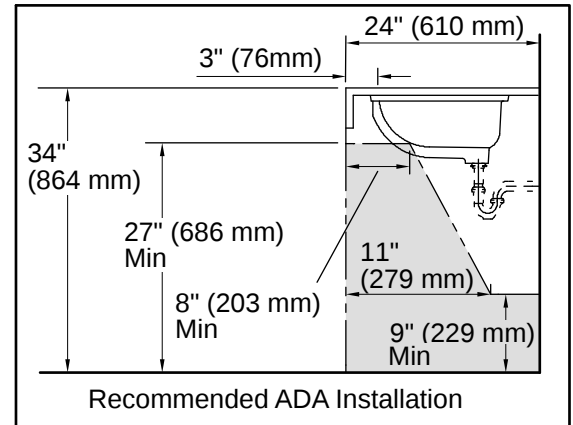
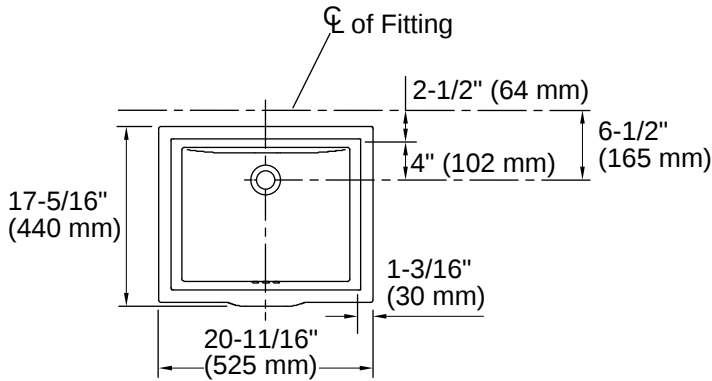
Warranty

See website for detailed warranty information.

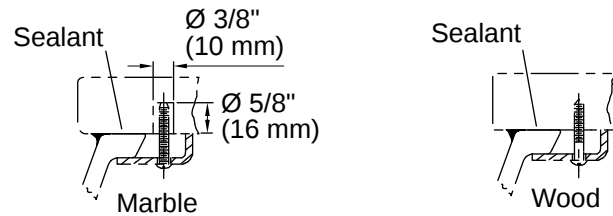
KOHLER® Vitreous China Bathroom Sink Lifetime Limited Warranty



1-800-4KOHLER (1-800-456-4537)
Kohler Co. reserves the right to make revisions without notice to product specifications.
For the most current specification sheet, go to www.kohler.com USA or www.kohler.ca Canada.
4-15-2026 3:50 - US-CA



Standard Installation



Installation

Installation

- Undermount

Installation Notes

Install this product according to the installation instructions.

NOTICE: Countertop manufacturer or cutter must use the current product template available at www.kohler.com, or by calling 1-800-4KOHLER. Kohler Co. is not responsible for cutout errors when the incorrect cutout template is used.

Product dimensions are nominal and may vary per ASME A112.19.2 tolerances.

ADA compliant when installed to the specific requirements of these regulations.

