



# Skim® | K-23252-F

Dual-flush actuator plate for 2" x 4" in-wall tank and carrier system

## Features

- For use with K-28829 in-wall tank and carrier system
- Large flush actuator plate is easily removed, allowing access to inner tank and flush valve for service
- Dual-flush actuator offers a choice of 0.8 or 1.6 gpf (3.0 or 6.0 lpf)
- Fingerprint-resistant finish stays clean longer



## Available Colors/Finishes

*Color tiles intended for reference only.*

- 0 White
- 7 Black Black



1-800-4KOHLER (1-800-456-4537)  
Kohler Co. reserves the right to make revisions without notice to product specifications.  
For the most current specification sheet, go to [www.kohler.com](http://www.kohler.com) USA or [www.kohler.ca](http://www.kohler.ca) Canada.  
4-15-2026 5:40 - US-CA

THE BOLD LOOK  
OF **KOHLER**

## Codes/Standards

*None Applicable*

---

## Material

- Premium material construction for durability and reliability
  - KOHLER finishes resist corrosion and tarnishing
- 

## Recommended Products/Accessories

K-23723 Faucet cleaner

---

## Required Products/Accessories

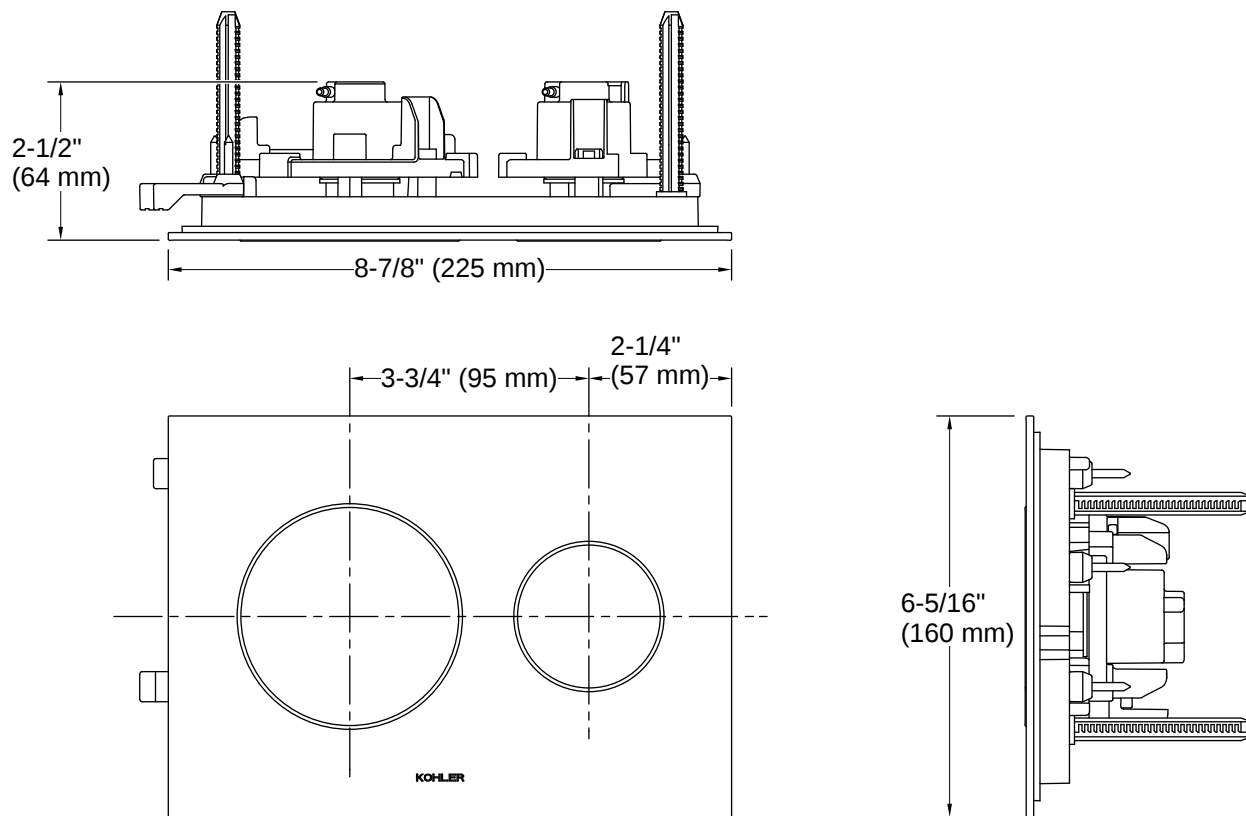
- K-28829 In-wall tank and carrier system
- 

## Warranty

*See website for detailed warranty information.*

KOHLER® Toilets and Seats Limited Warranty





### Installation

- Requires K-8108 Pneumatic Conversion In-Wall Kit (sold separately)

### Installation Notes

*Install this product according to the installation instructions.*

