



PureWash® M100 | K-22860

Toilet seat attachment for bidet functionality

Features

- Convenient side handle for adjusting water pressure
- Handle rotates to activate front or rear spray option
- Dual self-cleaning wands automatically rinse after each use
- Manually operated handle requires no batteries or electrical power
- Fits most toilets



1-800-4KOHLER (1-800-456-4537)
Kohler Co. reserves the right to make revisions without notice to product specifications.
For the most current specification sheet, go to www.kohler.com USA or www.kohler.ca Canada.
4-15-2026 6:39 - US-CA

THE BOLD LOOK
OF **KOHLER**®

Codes/Standards

None Applicable

Technical Information

All product dimensions are nominal.

Seat-Mounting Holes: 6-1/4" (158 mm)

Material

- Plastic construction
-

Recommended Products/Accessories

K-5709 ContinuousClean XT two-piece elongated toilet with skirted trapway, 1.28 gpf

K-25224 Tall two-piece elongated toilet, 1.28 gpf

K-78080 One-piece compact elongated toilet with skirted trapway, 1.28 gpf

K-78080-RA One-piece compact elongated toilet with skirted trapway, 1.28 gpf

K-1381 One-piece elongated toilet with skirted trapway, dual-flush

K-1381-HC Hidden cord one-piece elongated toilet with skirted trapway, dual-flush

K-4197 Round-front toilet bowl

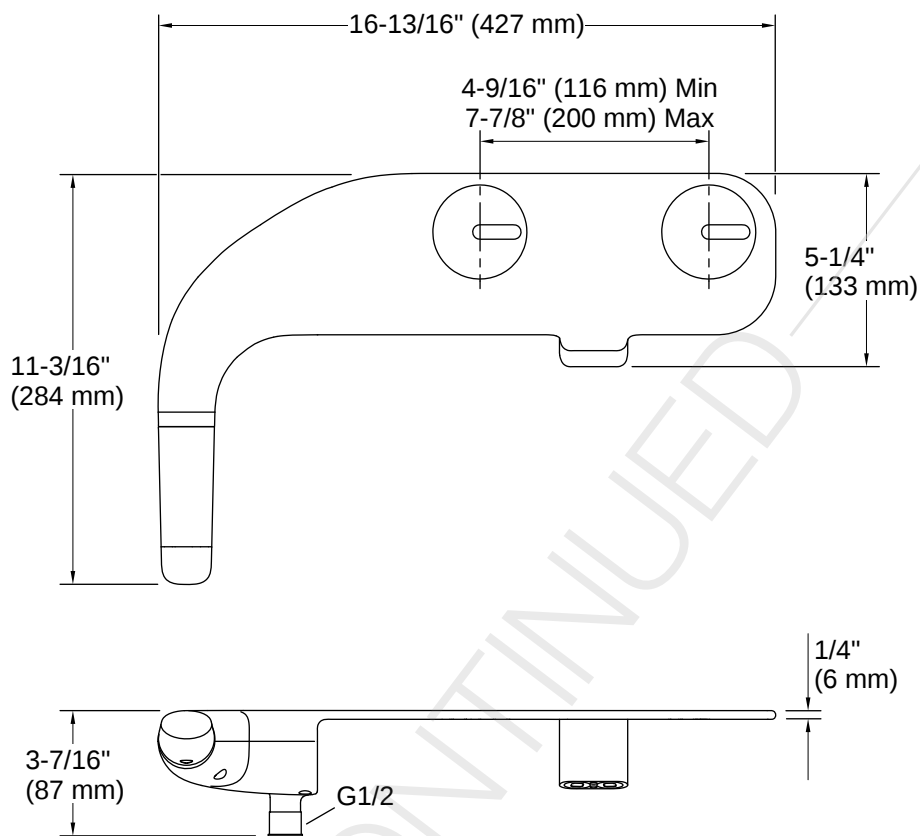
K-31589 Round-front toilet bowl

Warranty

See website for detailed warranty information.

KOHLER® One-Year Limited Warranty





Installation

- Requires connection to toilet water supply line. All hoses and connections are included

Installation Notes

Install this product according to the installation instructions.

