



Harken® | K-22695

One-piece compact elongated toilet with skirted trapway, 1.28 gpf

Features

- One-piece toilets integrate the tank and bowl into a seamless, easy-to-clean design
- Compact elongated bowl offers added comfort while occupying the same space as a round-front bowl
- Standard height
- 1.28 gpf (4.8 lpf)
- Left-hand Polished Chrome trip lever
- 2-1/8" (54 mm) glazed trapway
- Fully skirted trapway simplifies cleaning
- Quiet-Close™ elongated lid and seat prevents slamming



Sustainability



Available Colors/Finishes

Color tiles intended for reference only.

- 0 White



1-800-4KOHLER (1-800-456-4537)
Kohler Co. reserves the right to make revisions without notice to product specifications.
For the most current specification sheet, go to www.kohler.com USA or www.kohler.ca Canada.
4-15-2026 5:53 - US-CA

THE BOLD LOOK
OF **KOHLER**®

Codes/Standards

Accessibility standards may require controls to be located on the open side of the toilet.

Plumbing codes may require elongated toilets and elongated, open-front seats in public bathrooms.



ASME A112.19.2/CSA B45.1
DOE - Energy Policy Act 1992
EPA WaterSense®
California Energy Commission (CEC)

Warranty

See website for detailed warranty information.

KOHLER® Toilets and Seats Limited Warranty

Technical Information

Rough-in:	Standard 12" (305mm)
Flush Type:	Class Five
Flush Rate:	1.28 gpf (4.8 lpf)
Bowl Shape:	Elongated
Seat-Mounting Holes:	5-1/2" (140 mm)
Waste Outlet:	Floor
Trapway Size:	2" (51 mm)
Trapway Type:	Skirted
Water Surface Size:	7-13/16" x 5-1/8" (198 mm x 130 mm)
Rim to Water Surface:	5-15/16" (151 mm)

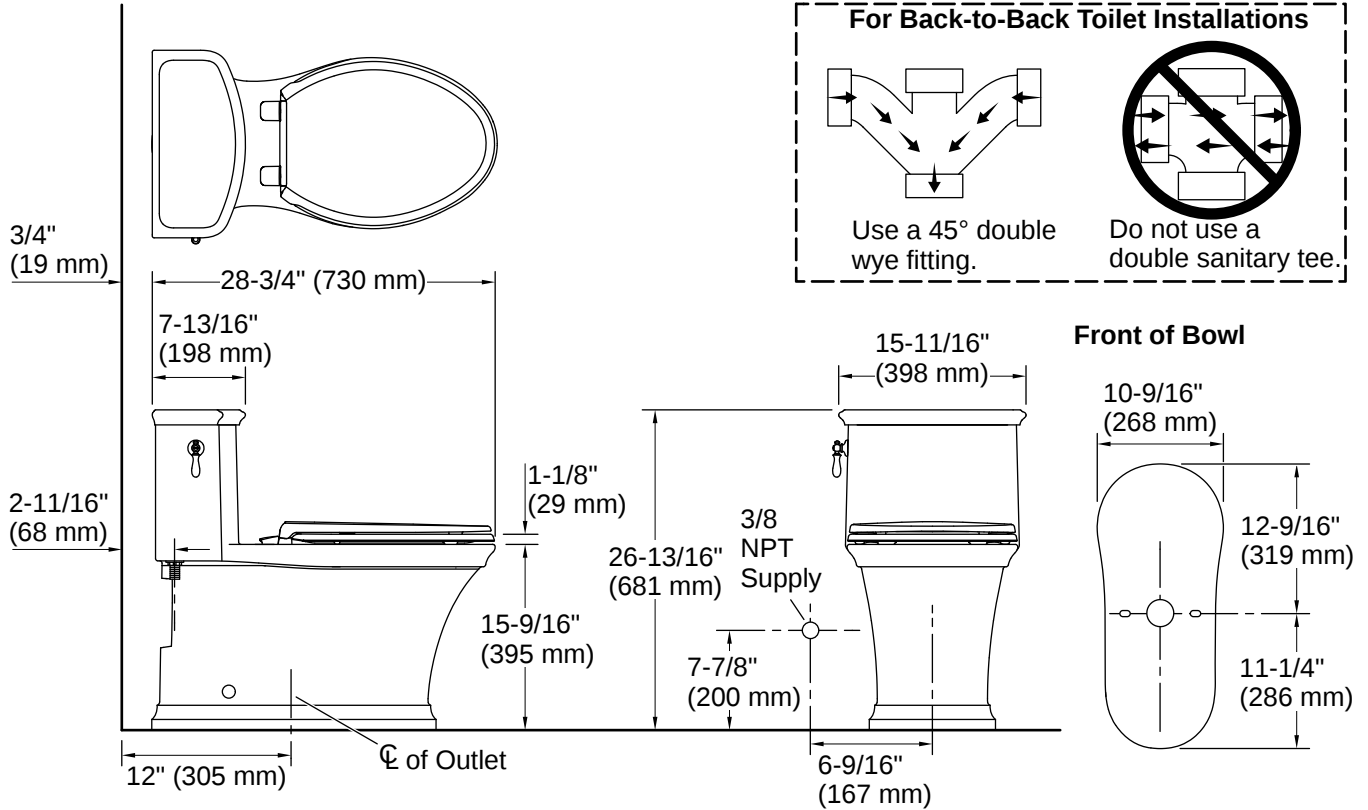
Pressure/Fixture Supply Requirements

Minimum Flowing Pressure:	15 psi (103.4 kPa)
Minimum Flow Rate:	1 gpm (3.8 l/min)

Recommended Products/Accessories

1362736 Mounting Plate Kit Exposed Wire
K-20110 Quiet-Close™ elongated toilet seat
K-38578 Left-hand trip lever





Installation

- Standard 12" (305 mm) rough-in
- Supply line sold separately
- Requires mounting plate for heated seat installation (sold separately)

Installation Notes

Install this product according to the installation instructions.

Product dimensions are nominal and may vary per ASME A112.19.2 tolerances.

