



# Farmstead® | K-21111

Right-hand sink rack

## Features

- Fits in the right side of the K-21103 Farmstead kitchen sink
- Included with the K-21103 Farmstead kitchen sink
- Helps protect sink surface from daily wear
- Dishwasher-safe
- Rubber feet provide added protection
- Designed to sit side-by-side with the K-21110 left-hand rack



## Available Colors/Finishes

*Color tiles intended for reference only.*

 ST Stainless Steel



1-800-4KOHLER (1-800-456-4537)  
Kohler Co. reserves the right to make revisions without notice to product specifications.  
For the most current specification sheet, go to [www.kohler.com](http://www.kohler.com) USA or [www.kohler.ca](http://www.kohler.ca) Canada.  
4-15-2026 4:24 - US-CA

THE BOLD LOOK  
OF **KOHLER**®

---

## Codes/Standards

*None Applicable*

---

## Material

- Stainless steel construction
- 

## Recommended Products/Accessories

K-21103-1HP5 45" top-/wall-mount single-bowl workstation  
farmhouse kitchen sink

K-21103-1HW 45" top-/wall-mount single-bowl workstation  
farmhouse kitchen sink

K-21103-2HP5 45" top-/wall-mount single-bowl workstation  
farmhouse kitchen sink

K-21103-2HW 45" top-/wall-mount single-bowl workstation  
farmhouse kitchen sink

K-21103-3HP5 45" top-/wall-mount single-bowl workstation  
farmhouse kitchen sink

K-21103-3HW 45" top-/wall-mount single-bowl workstation  
farmhouse kitchen sink

K-23729 Stainless steel cleaner

---

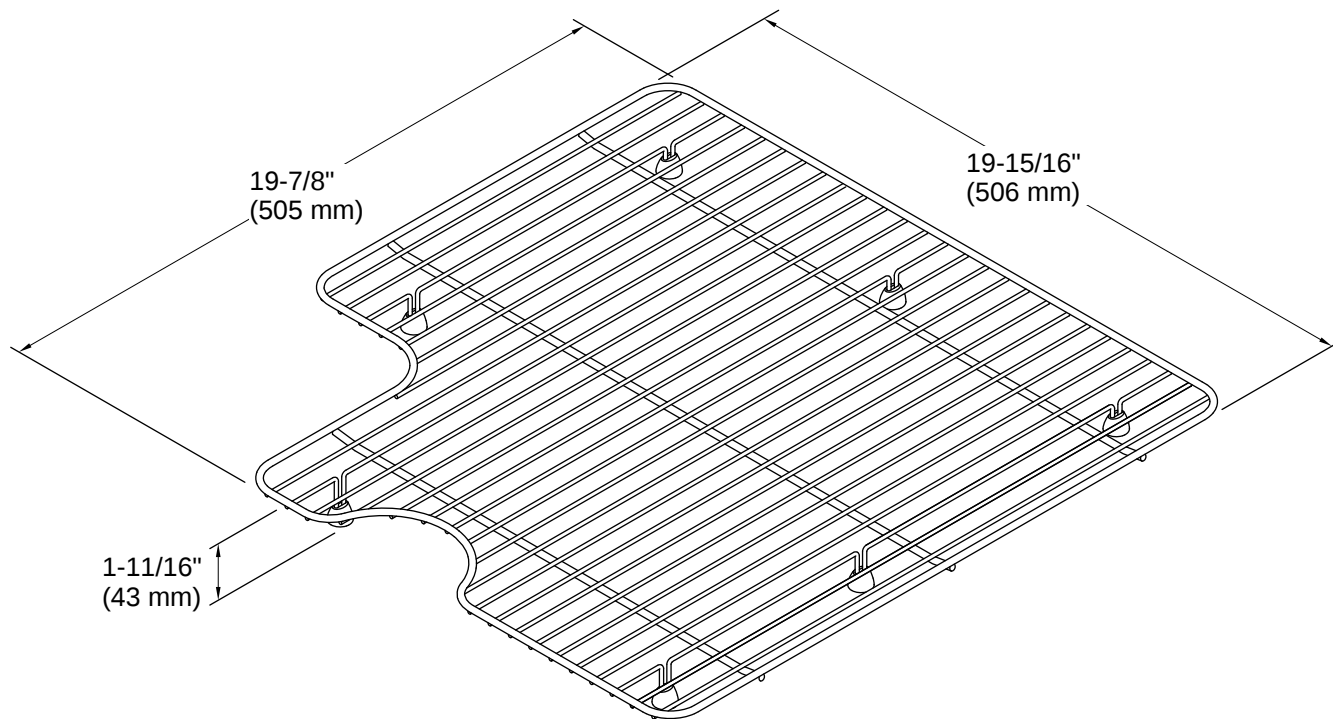
## Warranty

*See website for detailed warranty information.*

KOHLER® One-Year Limited Warranty



1-800-4KOHLER (1-800-456-4537)  
Kohler Co. reserves the right to make revisions without notice to product specifications.  
For the most current specification sheet, go to [www.kohler.com](http://www.kohler.com) USA or [www.kohler.ca](http://www.kohler.ca) Canada.  
4-15-2026 4:24 - US-CA



### Installation Notes

*Install this product according to the installation instructions.*

