

Artifacts™ | K-21000-PDE

66-1/8" x 32-1/2" freestanding bath

Features

- Freestanding design creates a striking focal point in your bathing area
- Integral lumbar support on both ends
- Safeguard® slip-resistant surface provides excellent traction underfoot
- Coordinates with other products in the Artifacts collection
- Requires Artifacts ball-and-claw feet (sold separately)



Sustainability



Available Colors/Finishes

Color tiles intended for reference only.

■ NY Dune



Codes/Standards

ASME A112.19.1/CSA B45.2
ASTM F462

Technical Information

All product dimensions are nominal.

| | |
|----------------------|--|
| Drain Location: | Center |
| Drain Hole Diameter: | 2-3/16" (56 mm) |
| Basin Area, Bottom: | 48-15/16" x 24-3/4" (1243 mm x 629 mm) |
| Basin Area, Top: | 58-11/16" x 27-13/16" (1491 mm x 706 mm) |
| Water Depth: | 14-3/8" (366 mm) |
| Water Capacity: | 69 gal (261.2 L) |
| Minimum Floor Load: | 90 lbs/ft ² |
| Weight: | 396.2 lbs (179.7 kg) |

Material

- KOHLER® enameled cast iron
- Dune interior and painted exterior

Recommended Products/Accessories

K-23725 Cast iron cleaner
K-23726 Drain treatment

Required Products/Accessories

- K-7159 1-1/2" pop-up bath drain for above- and through-the-floor freestanding bath installations
- K-204 Ball-and-claw feet

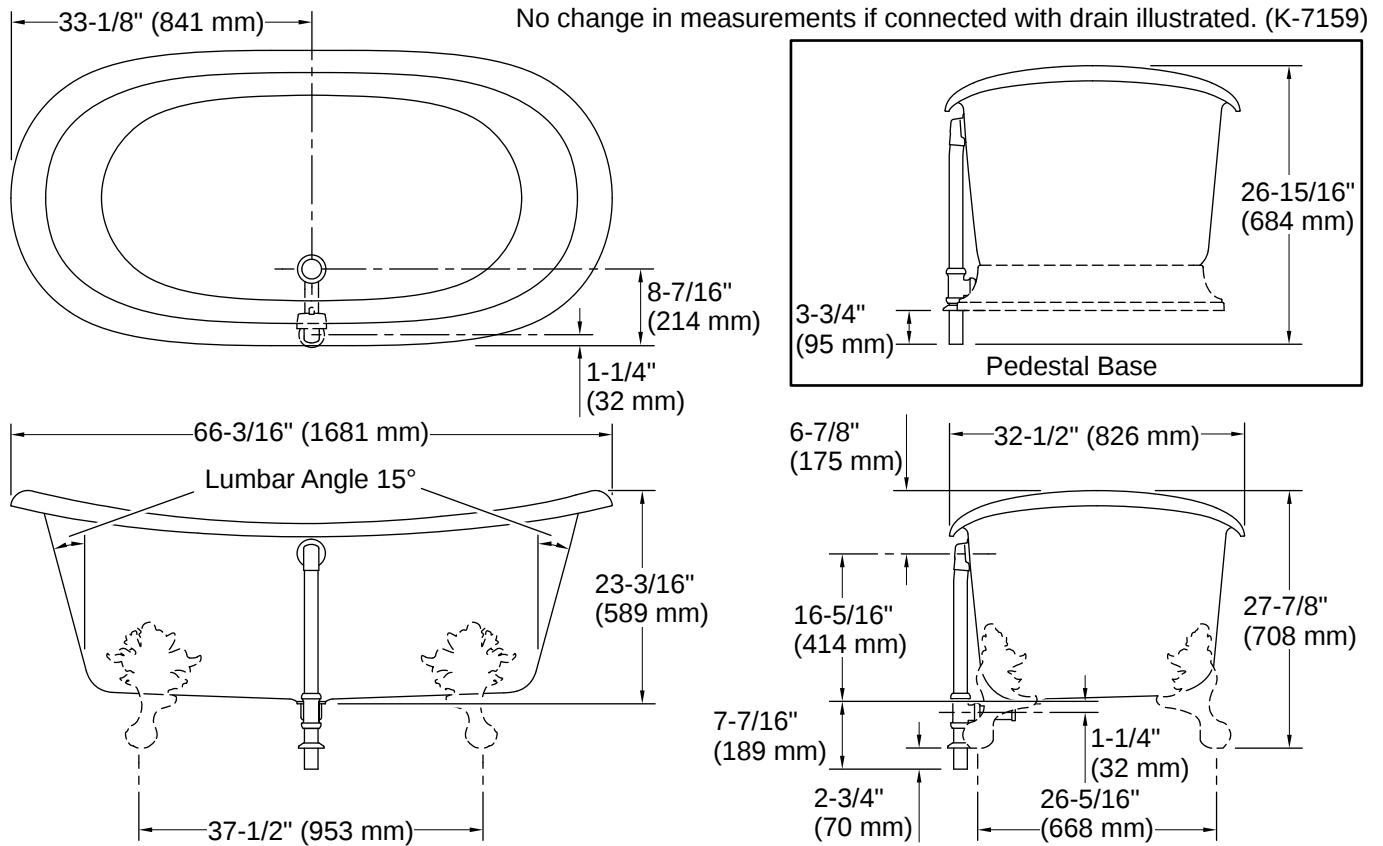
Warranty

See website for detailed warranty information.

KOHLER® Enameled Cast Iron Bath and Shower Base Lifetime Limited Warranty



1-800-4KOHLER (1-800-456-4537)
Kohler Co. reserves the right to make revisions without notice to product specifications.
For the most current specification sheet, go to www.kohler.com USA or www.kohler.ca Canada.
4-15-2026 2:55 - US-CA



Installation

- Freestanding
- Center rear drain

Installation Notes

Install this product according to the installation instructions.

Measure your actual product for rough-in details.

The hot water supply should be 70% of the capacity of the bath or greater. Installations will vary.

