



Artifacts™ | K-21000-B

66-1/8" x 32-1/2" freestanding bath

Features

- Freestanding design creates a striking focal point in your bathing area
- Integral lumbar support on both ends
- Safeguard® slip-resistant surface provides excellent traction underfoot
- Coordinates with Artifacts faucets and accessories



Sustainability



Available Colors/Finishes

Color tiles intended for reference only.

■ 96 Biscuit



1-800-4KOHLER (1-800-456-4537)
Kohler Co. reserves the right to make revisions without notice to product specifications.
For the most current specification sheet, go to www.kohler.com USA or www.kohler.ca Canada.
4-15-2026 5:31 - US-CA

THE BOLD LOOK
OF **KOHLER**

Codes/Standards

ASME A112.19.1/CSA B45.2

Technical Information

All product dimensions are nominal.

Drain Location:	Center
Drain Hole Diameter:	2-3/16" (56 mm)
Basin Area, Bottom:	48-15/16" x 24-3/4" (1243 mm x 629 mm)
Basin Area, Top:	58-11/16" x 27-13/16" (1491 mm x 706 mm)
Water Depth:	14-3/8" (366 mm)
Water Capacity:	69 gal (261.2 L)
Minimum Floor Load:	90 lbs/ft ²
Weight:	389.5 lbs (176.7 kg)

Material

- KOHLER® enameled cast iron
- Painted exterior in Biscuit

Recommended Products/Accessories

K-23726 Drain treatment

K-23725 Cast iron cleaner

Required Products/Accessories

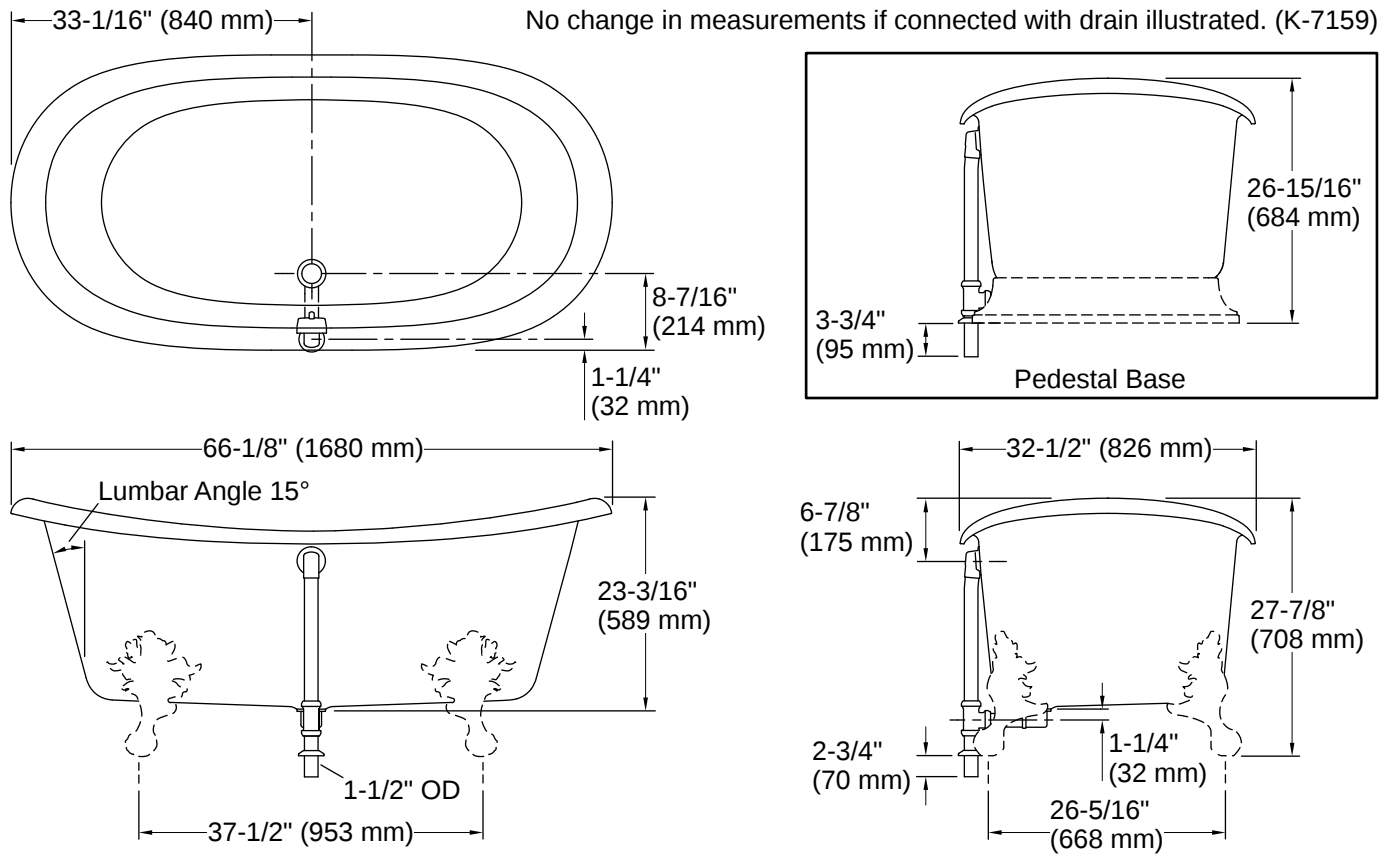
- K-7159 1-1/2" pop-up bath drain for above- and through-the-floor freestanding bath installations
 - K-204 Ball-and-claw feet
- or
- K-7159 1-1/2" pop-up bath drain for above- and through-the-floor freestanding bath installations
 - K-20027 Bath base for freestanding bath

Warranty

See website for detailed warranty information.

KOHLER® Enameled Cast Iron Bath and Shower Base Lifetime Limited Warranty





Installation

- Freestanding

Installation Notes

Install this product according to the installation instructions.

Measure your actual product for rough-in details.

The hot water supply should be 70% of the capacity of the bath or greater. Installations will vary.

