



Greenwich™ | K-2030-N

20-3/4" x 18-1/4" wall-mount/concealed arm carrier bathroom sink with widespread faucet holes and no overflow

Features

- Made from premium materials that withstand high-volume usage
- 20-3/4"L x 18-1/4"W
- 8" (203 mm) widespread faucet holes
- Includes wall hanger
- With sealed overflow for commercial and hospitals jobs



Available Colors/Finishes

Color tiles intended for reference only.

- 0 White



1-800-4KOHLER (1-800-456-4537)
Kohler Co. reserves the right to make revisions without notice to product specifications.
For the most current specification sheet, go to www.kohler.com USA or www.kohler.ca Canada.
4-15-2026 0:3 - US-CA

THE BOLD LOOK
OF **KOHLER**®

Codes/Standards

ADA compliant when installed to the specific requirements of these regulations.



ASME A112.19.2/CSA B45.1
 ADA
 ICC/ANSI A117.1

Technical Information

Number of Deck Holes:	3
Faucet Hole(s) Size:	1-3/8" (35 mm)
Center(s):	8" (203 mm)
With Overflow:	Yes
Drain Hole Diameter:	1-3/4" (44 mm)
Basin Configuration:	Single Bowl
Basin Length:	10" (254 mm)
Basin Width:	15" (381 mm)
Basin Depth:	11-1/8" (283 mm)

Material

- Vitreous china

Recommended Products/Accessories

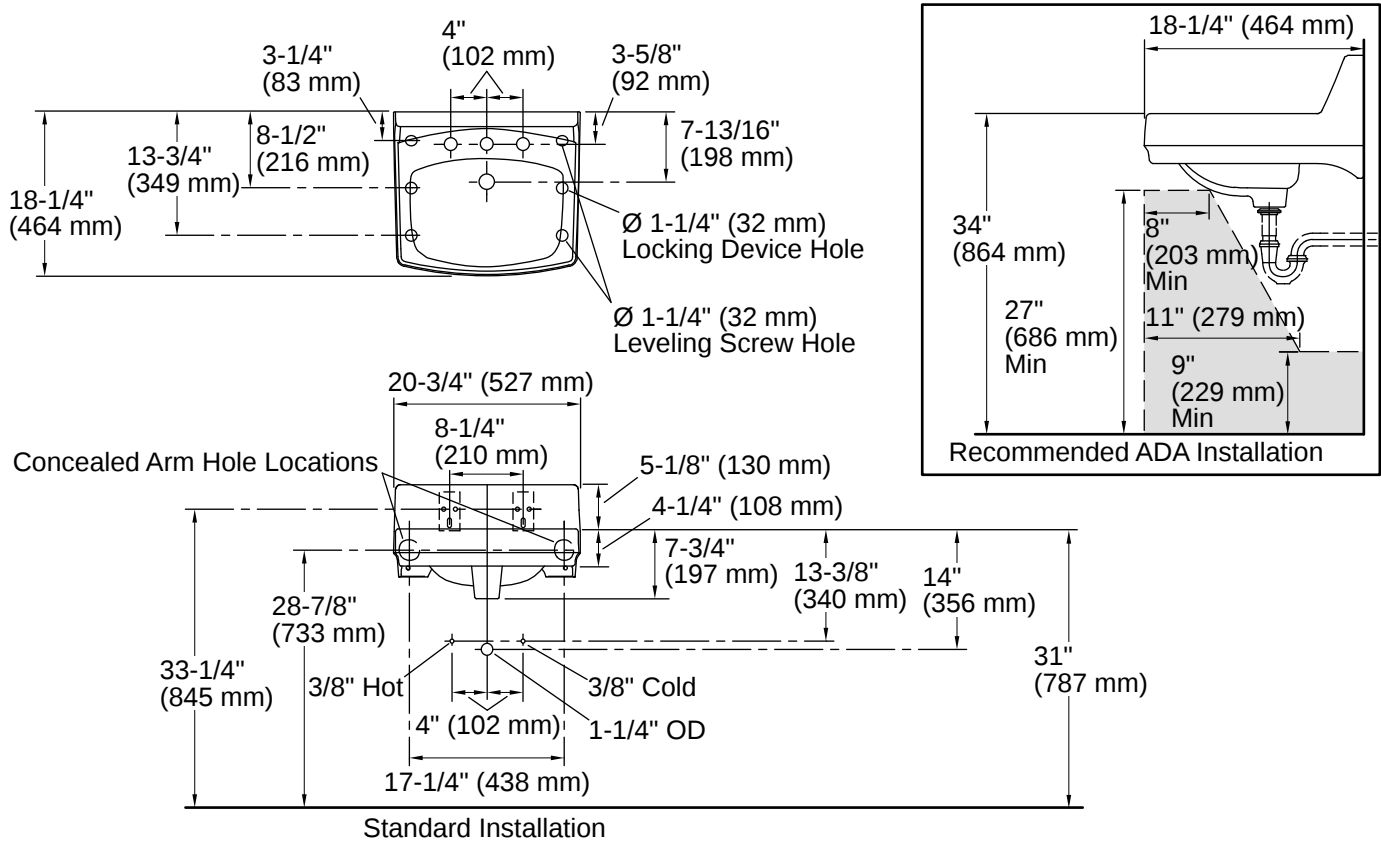
- K-23726 Drain treatment
- K-8998 Adjustable P-trap with tubing outlet, 1-1/4" x 1-1/4"
- K-23725 Cast iron cleaner

Warranty

See website for detailed warranty information.

KOHLER® Vitreous China Bathroom Sink Lifetime Limited Warranty





Installation

- Wall-mount
- Drilled for concealed arm carrier installation

Installation Notes

Install this product according to the installation instructions.

Product dimensions are nominal and may vary per ASME A112.19.2 tolerances.

ADA compliant when installed to the specific requirements of these regulations.

