



Iron Plains® | K-20213-PAG

33" oval drop-in / undermount / vessel bathroom sink

Features

- Elongated oval basin
- No faucet holes; requires wall- or counter-mount faucet
- With overflow
- Enameled Aspen Green interior and painted Aspen Green underside

Sustainability



Available Colors/Finishes

Color tiles intended for reference only.

- PAG-42 Aspen Exterior with Aspen Interior



Codes/Standards

ADA, CSA B651 compliant when installed to the specific requirements of these regulations.

ADA CSA B651

ASME A112.19.1/CSA B45.2
ADA
ICC/ANSI A117.1
CSA B651

Technical Information

With Overflow:	Yes
Drain Hole Diameter:	1-3/4" (44 mm)
Basin Configuration:	Single Bowl
Basin Length:	31-13/16" (808 mm)
Basin Width:	14-7/16" (367 mm)
Basin Depth:	4-11/16" (120 mm)

Material

- KOHLER® enameled cast iron
- Acid-resistant enamel finish

Recommended Products/Accessories

K-23726 Drain treatment
K-23725 Cast iron cleaner

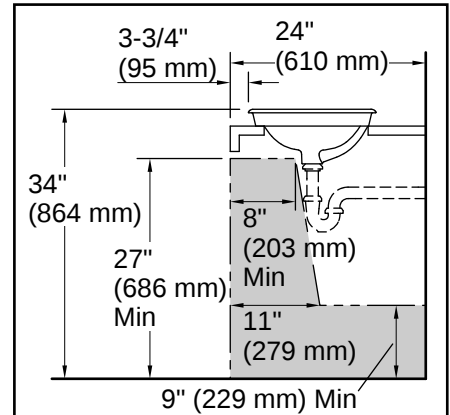
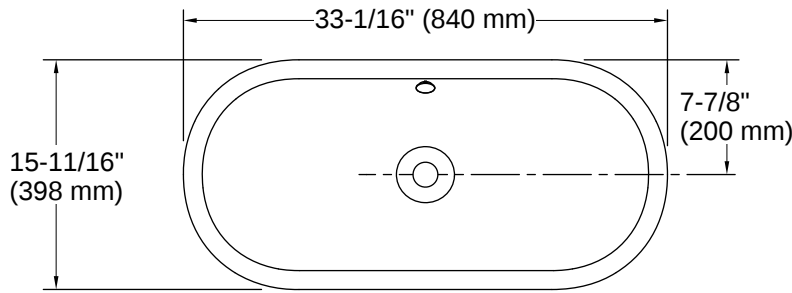
Warranty

See website for detailed warranty information.

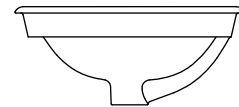
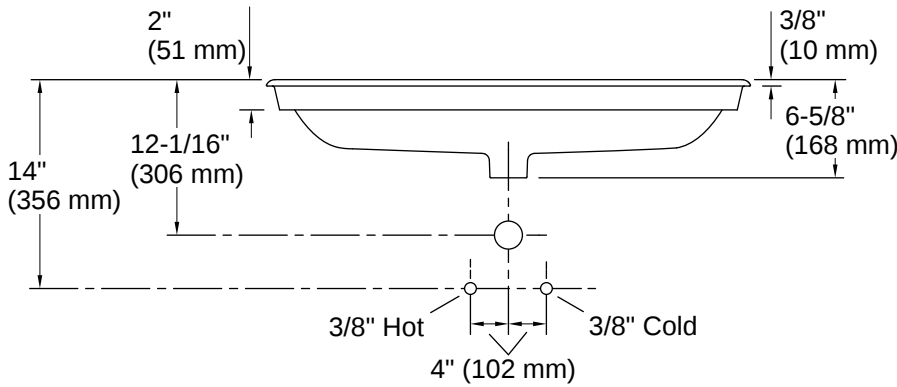
KOHLER® Enameled Cast Iron Kitchen and Bathroom Sink Lifetime Limited Warranty



1-800-4KOHLER (1-800-456-4537)
Kohler Co. reserves the right to make revisions without notice to product specifications.
For the most current specification sheet, go to www.kohler.com USA or www.kohler.ca Canada.
4-15-2026 2:41 - US-CA



Recommended ADA Installation



Installation

- Vessel, drop-in, or undermount

Installation Notes

Install this product according to the installation instructions.

NOTICE: Countertop manufacturer or cutter must use the current product template available at www.kohler.com or by calling 1-800-4KOHLER. Kohler Co. is not responsible for cutout errors when the incorrect cut-out template is used.

ADA, CSA B651 compliant when installed to the specific requirements of these regulations.

