

## Betello® | K-20197

Two-piece elongated toilet with skirted trapway, 1.28 gpf

### Features

- Two-piece design
- Elongated bowl offers added room and comfort
- Skirted trapway simplifies cleaning
- Revolution 360® flushing technology generates a forceful swirling motion to keep the bowl clean longer
- Comfort Height® feature offers chair-height seating that makes sitting down and standing up easier for most adults
- 1.28 gpf (4.8 lpf)
- 2-1/8" (54 mm) glazed trapway
- CleanCoat™ surface treatment inhibits the growth of water scale and mineral stains for improved ease of cleaning
- Alternative options available: Betello with ContinuousClean - K-20198
- AquaPiston® canister optimizes the flow out of the tank, harnessing gravity and the natural, powerful reducing cascade of water to increase the power and effectiveness of the flush
- Easy-to-flush canister design requires less force to actuate than a 3" (76 mm) flapper, and has 90% less exposed seal material which resists conditions that cause wear, tear, shrinkage and swelling
- Patented ReadyLock® installation system, a simple solution for skirted toilets, saves time, hassle, and eliminates the need to drill into the floor for standard 12" (305 mm) rough-in
- Left-hand trip lever



### Sustainability



### Available Colors/Finishes

*Color tiles intended for reference only.*

- |    |             |
|----|-------------|
| 0  | White       |
| 96 | Biscuit     |
| NY | Dune        |
| 95 | Ice Grey    |
| 7  | Black Black |



1-800-4KOHLER (1-800-456-4537)

Kohler Co. reserves the right to make revisions without notice to product specifications.  
For the most current specification sheet, go to [www.kohler.com](http://www.kohler.com) USA or [www.kohler.ca](http://www.kohler.ca) Canada.  
4-15-2026 8:1 - US-CA

## Codes/Standards

ADA, OBC, CSA B651 compliant when installed to the specific requirements of these regulations.  
 Accessibility standards may require controls to be located on the open side of the toilet.  
 Plumbing codes may require elongated toilets and elongated, open-front seats in public bathrooms.



ASME A112.19.2/CSA B45.1  
 DOE - Energy Policy Act 1992  
 EPA WaterSense®  
 California Energy Commission (CEC)  
 ADA  
 ICC/ANSI A117.1  
 CSA B651  
 OBC

## Technical Information

Rough-in:	Standard 12" (305mm)
Flush Type:	AquaPiston, Revolution 360
Flush Rate:	1.28 gpf (4.8 lpf)
Bowl Shape:	Elongated
Waste Outlet:	Floor
Trapway Size:	2-1/8" (54 mm)
Trapway Type:	Skirted
Water Surface Size:	9-3/8" x 7-3/16" (238 mm x 183 mm)
Rim to Water Surface:	6-5/16" (160 mm)

## Pressure/Fixture Supply Requirements

Minimum Flowing Pressure:	15 psi (103.4 kPa)
Minimum Flow Rate:	1 gpm (3.8 l/min)

## Included Combo Skus

- K-20148 Elongated toilet bowl with skirted trapway
- K-20203 Toilet tank, 1.28 gpf

## Recommended Products/Accessories

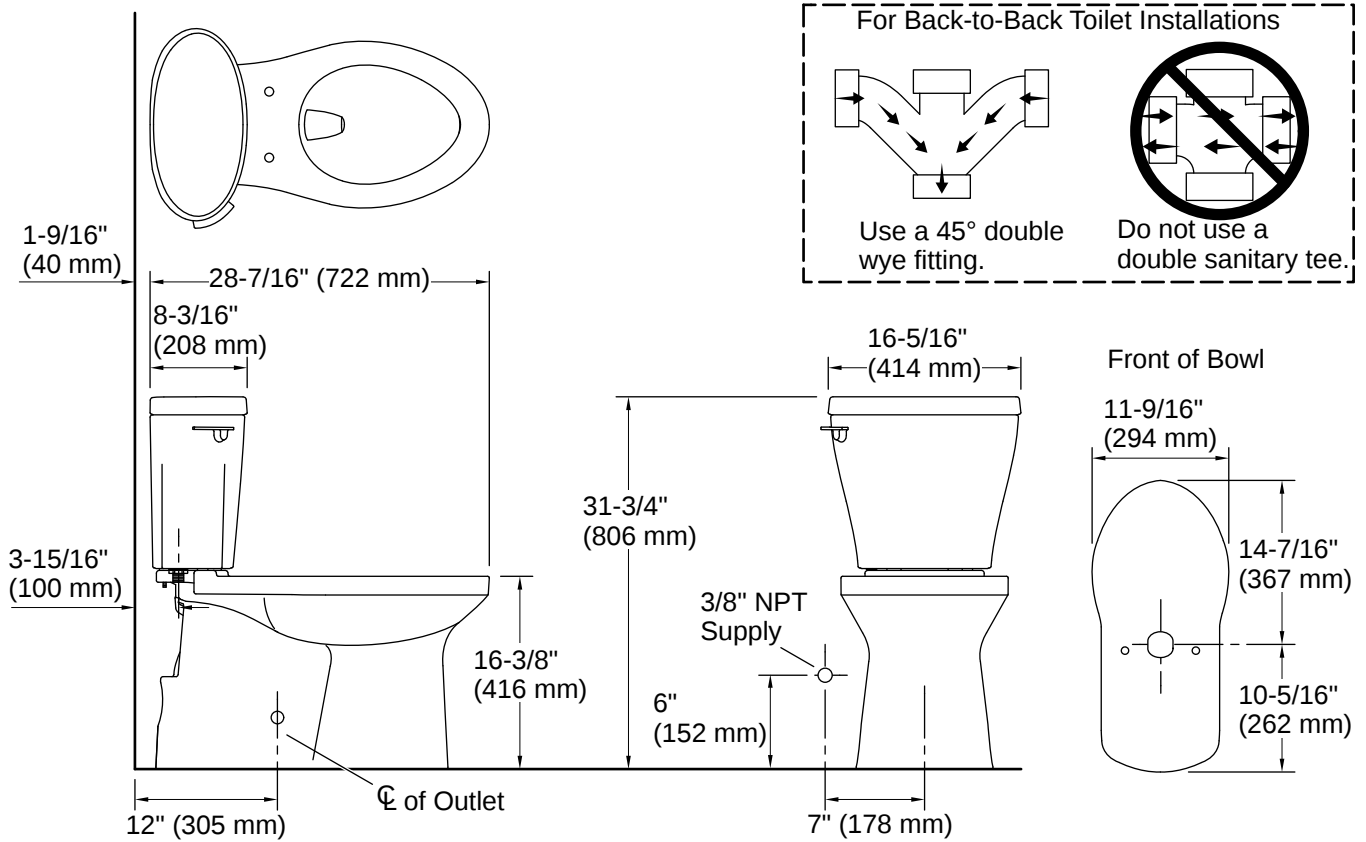
- K-26801 ReadyLatch® Quiet-Close™ elongated toilet seat
- K-5383 10" rough-in full skirt trap and attachment system
- K-5381 14" rough-in full skirt trap and attachment system

## Warranty

See website for detailed warranty information.

KOHLER® Toilets and Seats Limited Warranty





### Installation

- Standard 12" (305 mm) rough-in
- 10" and 14" (254 mm and 356 mm) rough-in kits also available
- Seat and supply line sold separately

### Installation Notes

*Install this product according to the installation instructions.*

For back-to-back toilet installations: Use only a 45° double wye fitting.  
 Product dimensions are nominal and may vary per ASME A112.19.2 tolerances.  
 ADA, OBC, CSA B651 compliant when installed to the specific requirements of these regulations.  
 Plumbing codes may require elongated toilets and elongated, open-front seats in public bathrooms.  
 Accessibility standards may require controls to be located on the open side of the toilet.

