



Brevia™ | K-20111

Quiet-Close™ round-front toilet seat

Features

- Quiet-Close™ round-front seat and lid prevent slamming
- Grip-Tight bumpers hold seat firmly in place
- Quick-Attach® hardware for fast and secure installation
- Color-matched plastic hinges
- Fits most round-front toilets



Available Colors/Finishes

Color tiles intended for reference only.

- 0 White
- 96 Biscuit



Codes/Standards

Plumbing codes may require elongated toilets and elongated, open-front seats in public bathrooms.

Technical Information

All product dimensions are nominal.

Seat Shape Type:	Round-front
Seat Front Type:	Closed-front
Seat-Mounting Holes:	5-1/2" (140 mm)

Material

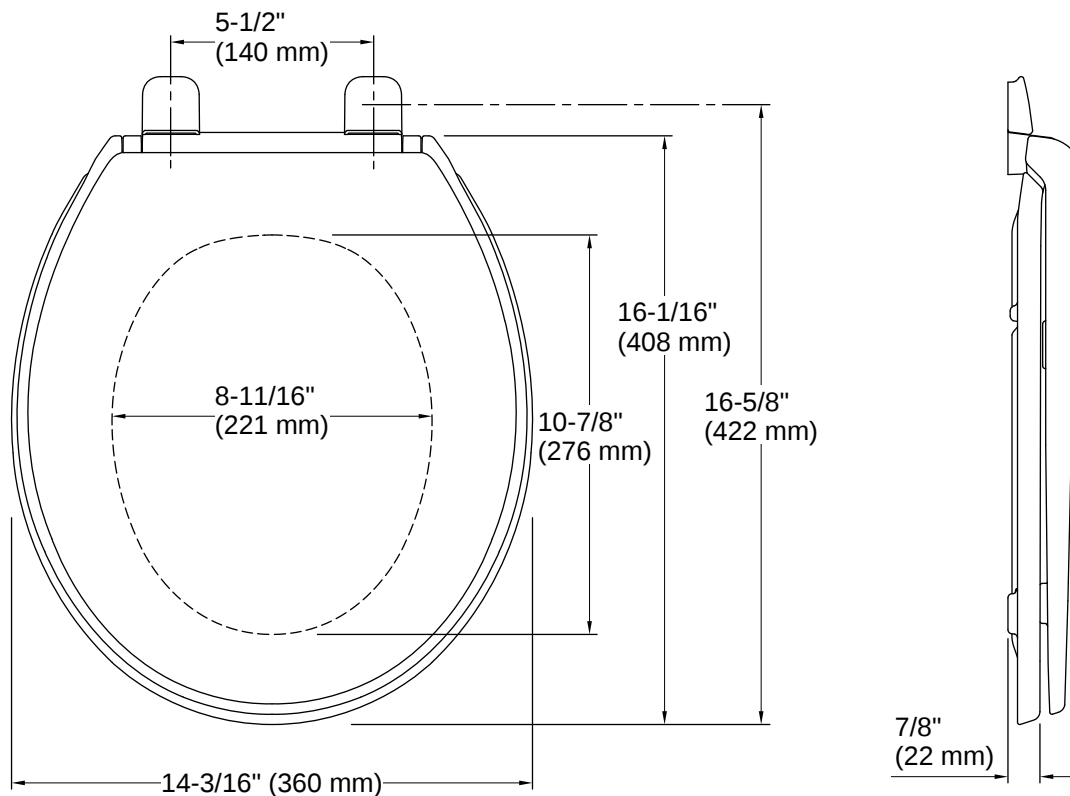
- Plastic construction
-

Warranty

See website for detailed warranty information.

KOHLER® One-Year Limited Warranty





Installation Notes

Install this product according to the installation instructions.

