

## Archer® | K-1947-RW

60" x 30" alcove whirlpool bath with Bask® heated surface, right drain

### Features

- Bask® heated surface creates spa-like relaxation with soothing warmth on your back, shoulders, and neck
- Three heat settings allow you to customize the surface temperature
- Single-speed whirlpool offers performance and value with 8 fully adjustable jets
- Hydromassage flow and direction can be controlled at each jet
- Comfort Depth® design offers a convenient 19" step-over height while retaining the same depth as a standard 21" bath
- Integral lumbar support
- Slotted overflow allows for deep soaking
- Integral flange helps prevent water from seeping behind wall and simplifies alcove installation
- Textured bottom surface
- Coordinates with other products in the Archer collection



### Available Colors/Finishes

*Color tiles intended for reference only.*

- 0 White
- 96 Biscuit
- 95 Ice Grey
- 7 Black Black



## Codes/Standards

ADA compliant when installed to the specific requirements of these regulations.

ADA

ASME A112.19.7/CSA B45.10  
CSA B45.5/IAPMO Z124  
ASTM E162  
ASTM E662  
UL 1795  
CSA C22.2 No. 218.2  
ADA  
ICC/ANSI A117.1  
cUL Listed  
UL Listed

## Technical Information

All product dimensions are nominal.

Drain Location:	Right
Drain Hole Diameter:	2-1/8" (54 mm)
Minimum Flat for Door:	2-9/16" (65 mm)
Basin Area, Bottom:	45-1/8" x 19-11/16" (1146 mm x 500 mm)
Basin Area, Top:	52-1/8" x 22-1/16" (1324 mm x 560 mm)
Water Depth:	15-1/8" (384 mm)
Water Capacity:	57 gal (215.8 L)
Minimum Floor Load:	50 lbs/ft <sup>2</sup>
Weight:	123 lbs (55.8 kg)

## Material

- Acrylic

## Required Electrical Service

One dedicated circuit required, protected with Class A Ground-Fault Circuit-Interrupter (GFCI). Outside North America, this device may be known as a Residual Current Device (RCD).

Pump, Heated Surface: 120 V, 15 A, 60 Hz

## Electrical Component Ratings

Pump: 120 V, 7 A, 60 Hz

Heated Surface: 120 V, 0.5 A, 60 Hz, 65 W

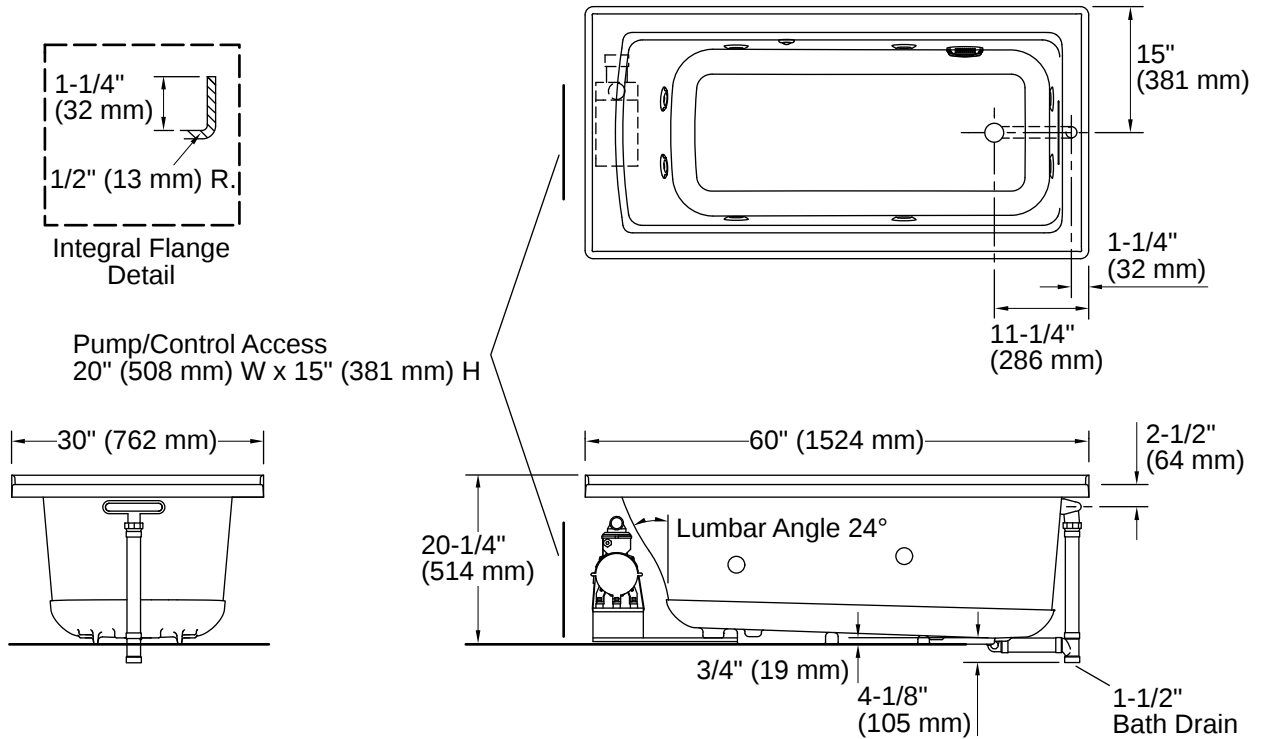
## Warranty

See website for detailed warranty information.

KOHLER® Plastic Baths and Shower Bases Lifetime Limited Warranty|KOHLER® Hydrotherapy Components Five-Year Limited Warranty



No change in measurements if connected with drain illustrated. (K-7272)



## Installation

- Right drain
- Alcove
- Requires Clearflo slotted overflow bath drain (sold separately)

## Installation Notes

*Install this product according to the installation instructions.*

Measure your actual product for rough-in details.

The hot water supply should be 70% of the capacity of the bath or greater. Installations will vary.

ADA compliant when installed to the specific requirements of these regulations.

