



PureWash® E525 | K-18751

Elongated bidet toilet seat

Features

- Hybrid heater provides continuously heated water for consistent comfort
- Self-cleaning function uses UV light to automatically clean the wand surfaces
- Front and rear wash modes provide warm water for cleansing
- Adjustable water temperature and water pressure
- Quiet-Close™ elongated lid and seat prevents slamming
- Quick-Release™ functionality allows seat to be removed easily from toilet for convenient cleaning
- Grip-Tight bumpers hold seat firmly in place



Available Colors/Finishes

Color tiles intended for reference only.

- 0 White



1-800-4KOHLER (1-800-456-4537)
Kohler Co. reserves the right to make revisions without notice to product specifications.
For the most current specification sheet, go to www.kohler.com USA or www.kohler.ca Canada.
4-15-2026 5:3 - US-CA

THE BOLD LOOK
OF **KOHLER**

Codes/Standards

ASME A112.4.2/CSA B45.16
 UL 1431
 CSA C22.2 No. 64
 CSA C22.2 No. 68
 cUL Listed

Technical Information

All product dimensions are nominal.

Seat Shape Type:	Elongated
Seat Front Type:	Closed-front
Seat-Mounting Holes:	5-1/2" (140 mm)

Material

- Plastic construction

Required Electrical Service

One dedicated circuit required, protected with Class A Ground-Fault Circuit-Interrupter (GFCI). Outside North America, this device may be known as a Residual Current Device (RCD).

Bidet toilet seat:	120 V, 15 A, 60 Hz
--------------------	--------------------

Electrical Component Ratings

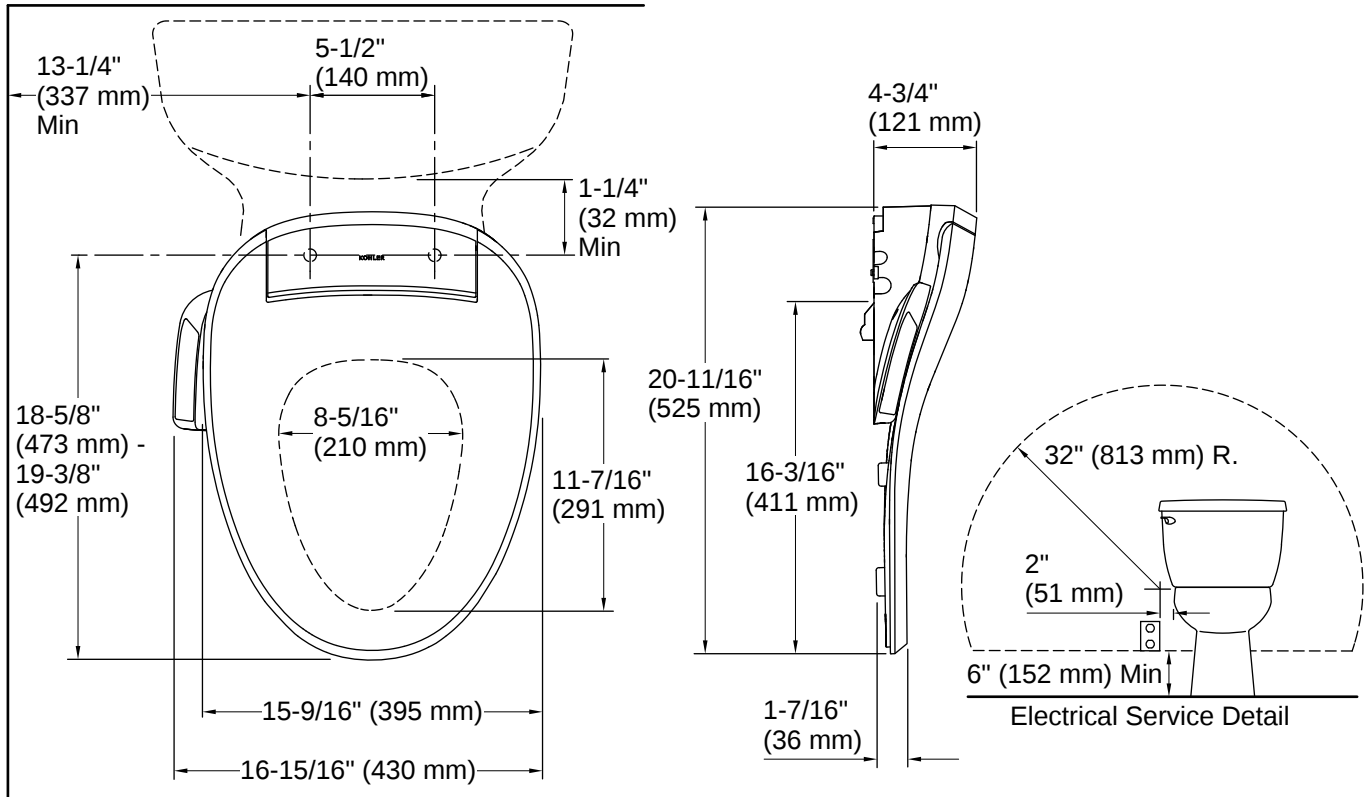
Bidet toilet seat:	120 V, 15 A, 60 Hz, 1800 W
Power Cord Length:	43" (1092 mm)

Warranty

See website for detailed warranty information.

KOHLER® Intelligent Toilet and C3® Cleansing Seat Three-Year Limited Warranty





Installation

- Requires connection to toilet water supply line. All hoses and connections are included
- Requires dedicated electrical GFCI circuit (120 V, 15 A, 60 Hz)

Installation Notes

Install this product according to the installation instructions.

Connect the seat to a cold water supply of drinking quality water at a pressure of 20 psi - 80 psi (139 kPa - 551 kPa).

Do not install this seat in a location where: (1) water might be splashed on the product or (2) excessive moisture, high humidity levels, or condensation is present. This will avoid damage to the electronic components.

CAUTION: Risk of property damage. A single extension cord may be used provided the cord "Type" begins with "SJ", 12 gauge, grounded (12/3), no longer than 25 feet, and plugged into a GFCI outlet. Promptly replace any extension cord that exhibits any sign of damage.

To avoid possible product malfunction, do not plug in the seat until instructed to do so.

Locate the receptacle at least 6" (152 mm) above the floor, and within a 32" (813 mm) radius measured 2" (51 mm) from the bowl ledge.

