



Underscore® | K-1849-XHGH

60" x 36" drop-in Heated BubbleMassage™ air bath with whirlpool

Features

- 122 airjets release thousands of heated bubbles that surround, support, and massage the body
- Variable-speed blower lets you adjust massage intensity to 18 levels
- Eight Proflex® hydromassage jets can be individually adjusted for water flow and direction
- Single-speed whirlpool offers performance and value with 8 fully adjustable jets
- Automatic and manual purge cycles remove residual water from air channels after use
- 60-minute automatic shutoff timer
- Built-in heater
- Slotted overflow allows for deep soaking
- Integral lumbar support
- Keypad control
- Textured bottom surface



Available Colors/Finishes

Color tiles intended for reference only.

- 0 White
- 96 Biscuit
- 7 Black Black



Codes/Standards

ASME A112.19.7/CSA B45.10
 CSA B45.5/IAPMO Z124
 ASTM E162
 ASTM E662
 UL 1795
 CSA C22.2 No. 218.2
 cUL Listed
 UL Listed

Technical Information

All product dimensions are nominal.

Drain Location:	Reversible
Drain Hole Diameter:	2-3/16" (56 mm)
Minimum Flat for Door:	2-7/16" (61 mm)
Basin Area, Bottom:	39-9/16" x 24-11/16" (1005 mm x 627 mm)
Basin Area, Top:	53-5/8" x 29-1/2" (1362 mm x 749 mm)
Water Depth:	17-1/8" (435 mm)
Water Capacity:	81.1 gal (307 L)
Minimum Floor Load:	56.8 lbs/ft ²
Weight:	170 lbs (77.1 kg)

Material

- Acrylic

Recommended Products/Accessories

- K-1491 Bath/whirlpool pillow, removable
- K-1601 Bath/whirlpool footstop, removable
- K-534 Undermount kit for select 60" Underscore bath models
- K-706000-D3 Sliding bath door, 62" H x 56-5/8 - 59-5/8" W, with 1/4" thick Frosted glass
- K-706000-L 62" H sliding bath door with 1/4"-thick glass
- K-706003-L Sliding bath door, 62" H x 56-5/8 - 59-5/8" W, with 3/8" thick Crystal Clear glass
- K-706004-D3 Sliding bath door, 62" H x 56-5/8 - 59-5/8" W, with 1/4" thick Frosted glass
- K-706004-L Sliding bath door, 62" H x 56-5/8 - 59-5/8" W, with 1/4" thick Crystal Clear glass
- K-706007-L Sliding bath door, 62" H x 56-5/8 - 59-5/8" W, with 3/8" thick Crystal Clear glass

Required Products/Accessories

- K-7271 Slotted overflow brass bath drain
- or
- K-7272 Slotted overflow bath drain

Technology

- Heated BubbleMassage™ technology warms and humidifies air before it enters the bath



Required Electrical Service

Three dedicated circuits required, protected with Class A Ground-Fault Circuit-Interrupter (GFCI). Outside North America, this device may be known as a Residual Current Device (RCD).

Blower: 120 V, 15 A, 60 Hz

Air bath, Pump: 120 V, 15 A, 60 Hz

Heater: 120 V, 15 A, 60 Hz

Electrical Component Ratings

Blower: 120 V, 10 A

Air bath: 120 V, 5 A, 60 Hz

Pump: 120 V, 7 A, 60 Hz

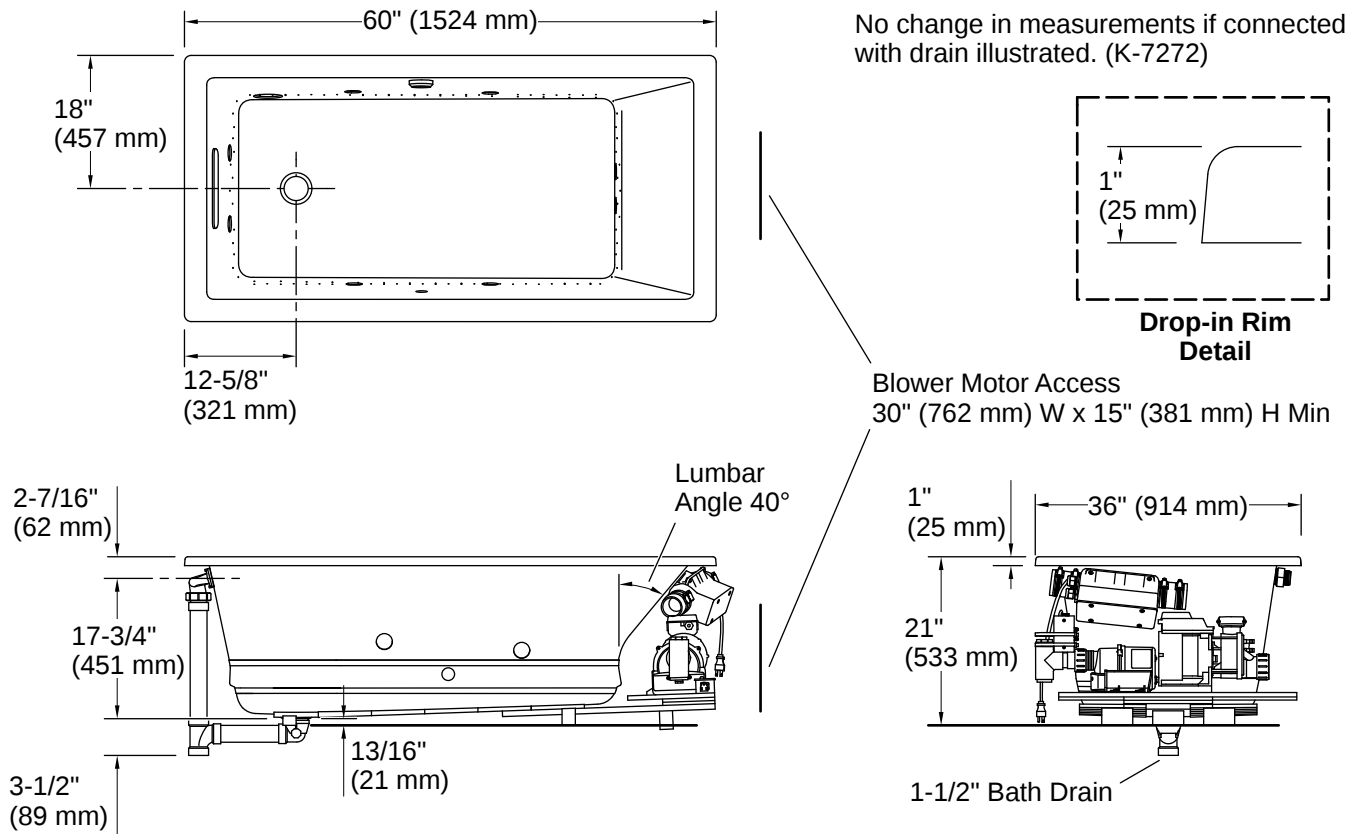
Heater: 120 V, 12 A, 60 Hz

Warranty

See website for detailed warranty information.

KOHLER® Plastic Baths and Shower Bases Lifetime Limited
Warranty|KOHLER® Hydrotherapy Components Five-Year Limited
Warranty





Installation

- Drop-in or undermount
- Reversible drain
- 120 V electrical requirement allows for easy installation with standard outlet
- Requires three dedicated circuits
- Requires Clearflo slotted overflow bath drain (sold separately)

Installation Notes

Install this product according to the installation instructions.

Measure your actual product for rough-in details.

The hot water supply should be 70% of the capacity of the bath or greater. Installations will vary.

