



# Underscore® | K-1835-JH

72" x 36" drop-in heated whirlpool bath

## Features

- Eight Proflex® hydromassage jets can be individually adjusted for water flow and direction
- Single-speed whirlpool offers performance and value with 8 fully adjustable jets
- Built-in heater
- Slotted overflow allows for deep soaking
- Spacious design accommodates up to two bathers
- Integral lumbar support
- Textured bottom surface



## Available Colors/Finishes

*Color tiles intended for reference only.*

- 0 White
- 96 Biscuit
- 7 Black Black



## Codes/Standards

ASME A112.19.7/CSA B45.10  
 CSA B45.5/IAPMO Z124  
 ASTM E162  
 ASTM E662  
 UL 1795  
 CSA C22.2 No. 218.2  
 cUL Listed  
 UL Listed

## Technical Information

*All product dimensions are nominal.*

Drain Location:	Center
Drain Hole Diameter:	2-1/4" (57 mm)
Minimum Flat for Door:	2-1/2" (64 mm)
Basin Area, Bottom:	45-3/4" x 25-15/16" (1162 mm x 659 mm)
Basin Area, Top:	66" x 30" (1676 mm x 763 mm)
Water Depth:	19-7/16" (494 mm)
Water Capacity:	112.9 gal (427.4 L)
Minimum Floor Load:	61 lbs/ft <sup>2</sup>
Weight:	165 lbs (74.8 kg)
Cutout:	Drop-in, 71-1/2" x 35-1/2" (1816 mm x 902 mm)

## Material

- Acrylic

## Recommended Products/Accessories

K-1491 Bath/whirlpool pillow, removable  
 K-1601 Bath/whirlpool footstop, removable

## Required Electrical Service

Two dedicated circuits required, protected with Class A Ground-Fault Circuit-Interrupter (GFCI). Outside North America, this device may be known as a Residual Current Device (RCD).

Pump:	120 V, 15 A, 60 Hz
Heater:	120 V, 15 A, 60 Hz

## Electrical Component Ratings

Pump:	120 V, 7 A, 60 Hz
Heater:	120 V, 12 A, 60 Hz

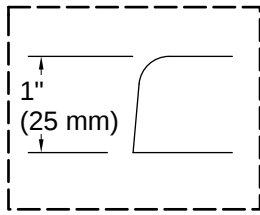
## Warranty

*See website for detailed warranty information.*

KOHLER® Plastic Baths and Shower Bases Lifetime Limited Warranty|KOHLER® Hydrotherapy Components Five-Year Limited Warranty

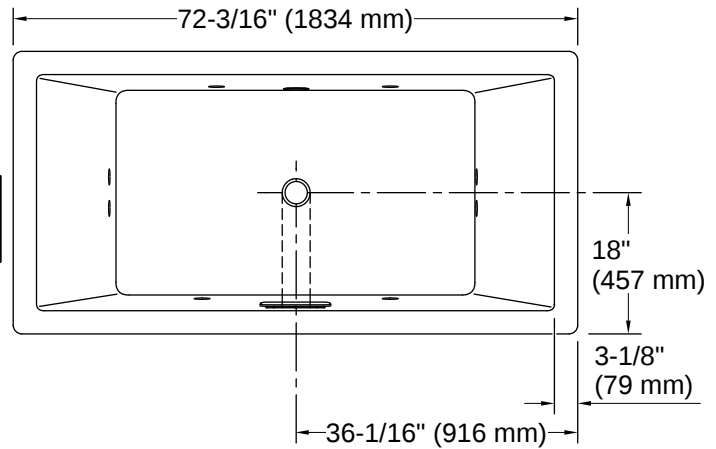
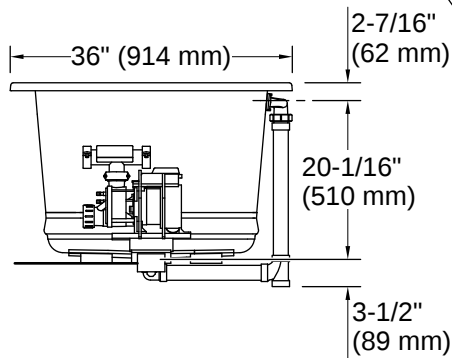


No change in measurements if connected with drain illustrated. (K-7272)

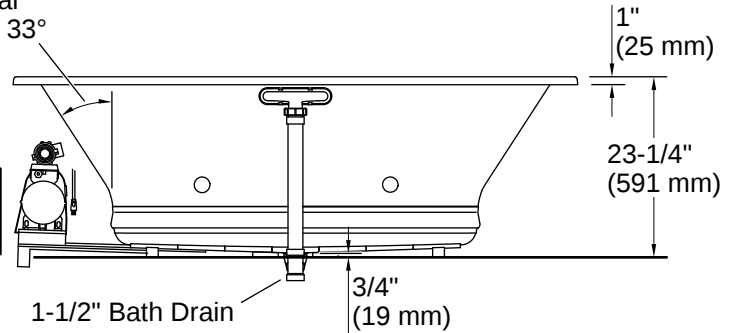


**Drop-in Rim Detail**

Blower Motor Access  
30" (762 mm) W x 15" (381 mm) H Min



Lumbar Angle 33°



## Installation

- Drop-in or undermount
- Center drain
- Requires Clearflo slotted overflow bath drain (sold separately)

## Installation Notes

*Install this product according to the installation instructions.*

Measure your actual product for rough-in details.

The hot water supply should be 70% of the capacity of the bath or greater. Installations will vary.

