



Kumin[®] Curve | K-181031-BK1

Touchless lavatory faucets and soap dispensers for Constellation[™] lavatory system, 0.5 gpm

Features

- Touchless faucet, soap dispenser, and accessory combination designed for Constellation[™] 90" wall-mount lavatory systems
- Faucets with Kinesis[®] technology and concealed sensors give a clean aesthetic and provide extraordinarily accurate and reliable actuation in varying installation environments
- 0.5 gpm (1.9 lpm) maximum flow rate
- On-demand usage with 30-second max. continual run cycle to prevent vandalism and save water
- Vandal-resistant aerators
- Soap dispensers possess adjustable volume and sensor range for precise actuations
- Soap dispenser requires low (1-20 cps or gr/m-s) viscosity foam soap with no suspended particles. Please see Installation Guide or Maintenance and Use Guide for specific soap recommendations
- Below-counter faucet valving and soap dispenser reservoirs reduce footprints and provide easier servicing
- Vandal-resistant sensor on soap dispenser delays dispensing for 30 seconds if blocked for ten seconds
- Above-counter low soap and low battery indicators
- Coordinating bag hooks hold purses, backpacks, and other bags
- Includes three assembled faucets and soap dispensers, two bag hooks, two multi-outlet power supplies, six 10' (3.1 m) cable assemblies, three overflow assemblies, one 1-gallon bulk soap refill, mechanical mixing tee



Sustainability



Available Colors/Finishes

Color tiles intended for reference only.

- CP Polished Chrome
- BN Vibrant Brushed Nickel
- BL Matte Black
- 2MB Vibrant Brushed Moderne Brass



1-800-4KOHLER (1-800-456-4537)
Kohler Co. reserves the right to make revisions without notice to product specifications.
For the most current specification sheet, go to www.kohler.com USA or www.kohler.ca Canada.
4-15-2026 6:48 - US-CA

THE BOLD LOOK
OF **KOHLER**

Codes/Standards

ADA compliant when installed to the specific requirements of these regulations.

ADA

ASME A112.18.1/CSA B125.1
NSF/ANSI/CAN 372
NSF/ANSI/CAN 61
UL 1310
ADA
ICC/ANSI A117.1

Warranty

See website for detailed warranty information.

KOHLER® One-Year Limited Warranty

Technical Information

All product dimensions are nominal.

Spout

Spout Reach: 5-5/16" (135 mm)

Flow Rate

Faucet Flow Rate: 0.5 gpm (1.9 l/min)

Valves

Included Valve: Thermostatic Mixer

Pressure/Fixture Supply Requirements

Minimum Flow Rate: 0.5 gpm (1.9 l/min)

Material

- Durable brass construction
-

Required Electrical Service

One dedicated circuit required, protected with Class A Ground-Fault Circuit-Interrupter (GFCI). Outside North America, this device may be known as a Residual Current Device (RCD).

110/220 V, 50/60 Hz

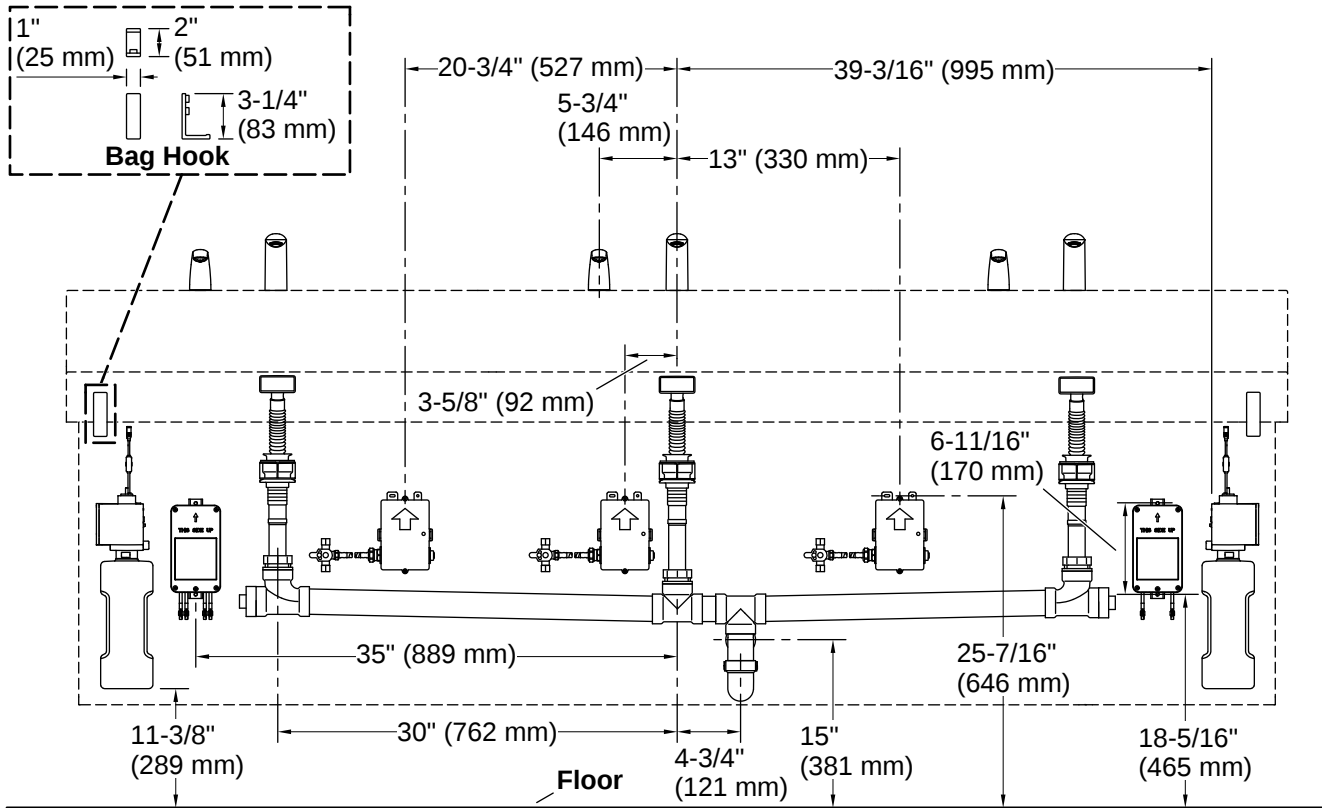


1-800-4KOHLER (1-800-456-4537)

Kohler Co. reserves the right to make revisions without notice to product specifications.

For the most current specification sheet, go to www.kohler.com USA or www.kohler.ca Canada.

4-15-2026 6:48 - US-CA



Installation

- Deck-mount

Installation Notes

Install this product according to the installation instructions.

For installations requiring ASSE 1070 compliance, purchase the 99799 NA thermostatic mixing valve (sold separately). One thermostatic mixing valve is required per faucet.

ADA compliant when installed to the specific requirements of these regulations.

