



Abrazo® | K-1800

66" x 31-1/2" freestanding bath

Features

- Unique shape and freestanding design offer contemporary style
- 18" (457 mm) depth offers a deep soaking experience
- Integral lumbar support
- Slotted overflow allows for deep soaking
- Easy to clean and maintain
- Center toe-tap drain with KOHLER Lithocast® cover
- Honed White is a matte finish with the natural appeal of smoothly honed stone
- KOHLER Gloss White is a gleaming, gloss finish inspired by polished stone



Available Colors/Finishes

Color tiles intended for reference only.

- 0 White
- HW1 Honed White



1-800-4KOHLER (1-800-456-4537)
Kohler Co. reserves the right to make revisions without notice to product specifications.
For the most current specification sheet, go to www.kohler.com USA or www.kohler.ca Canada.
4-15-2026 3:8 - US-CA

THE BOLD LOOK
OF **KOHLER**®

Codes/Standards

ASME A112.18.2/CSA B125.2
CSA B45.5/IAPMO Z124
ASTM E162
ASTM E662

Technical Information

All product dimensions are nominal.

Drain Location:	Center
Drain Hole Diameter:	2-3/16" (56 mm)
Basin Area, Bottom:	41-1/2" x 26" (1054 mm x 660 mm)
Basin Area, Top:	64-3/8" x 30" (1635 mm x 762 mm)
Water Depth:	18" (457 mm)
Water Capacity:	90 gal (340.7 L)
Minimum Floor Load:	90 lbs/ft ²
Weight:	524 lbs (237.7 kg)

Material

- KOHLER Lithocast® cast resin
-

Recommended Products/Accessories

K-1491 Bath/whirlpool pillow, removable
K-1601 Bath/whirlpool footstop, removable
K-23726 Drain treatment
K-23732 Tub & shower cleaner
K-923 Wall- or -ceiling-mount bath filler

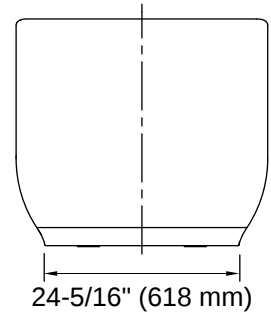
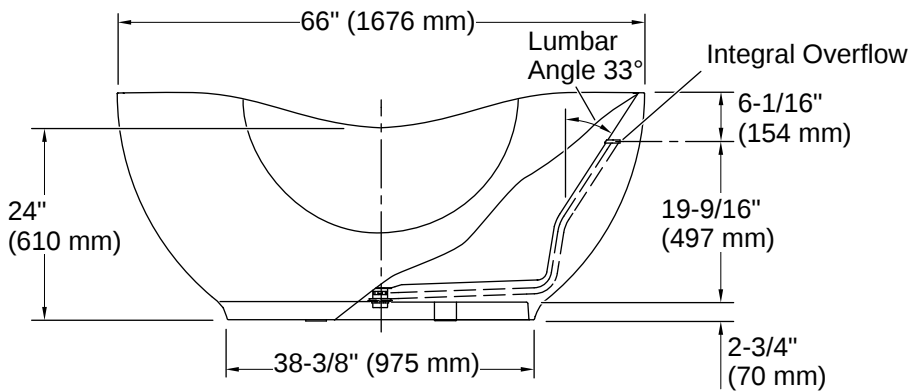
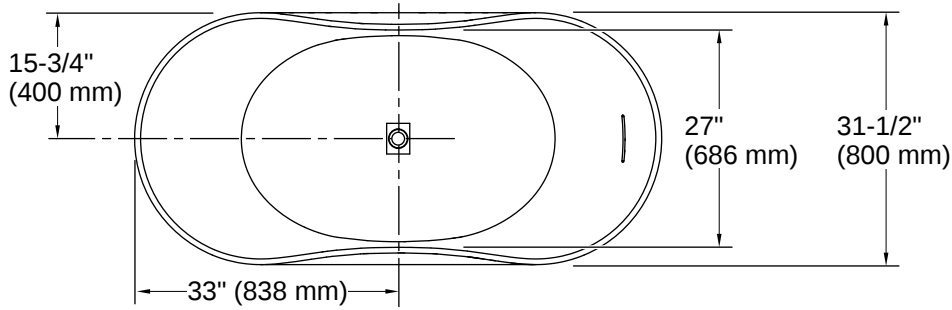
Warranty

See website for detailed warranty information.

KOHLER® Plastic Baths and Shower Bases Lifetime Limited Warranty



1-800-4KOHLER (1-800-456-4537)
Kohler Co. reserves the right to make revisions without notice to product specifications.
For the most current specification sheet, go to www.kohler.com USA or www.kohler.ca Canada.
4-15-2026 3:8 - US-CA



Installation

- Freestanding
- Center drain

Installation Notes

Install this product according to the installation instructions.

Measure your actual product for rough-in details.

The hot water supply should be 70% of the capacity of the bath or greater. Installations will vary.

Allow for 3" (76 mm) diameter of clearance around the drain pipe on finished floor material to prevent drain body interference during installation.

