



Chesapeake™ | K-1724

19-1/4" x 17-1/4" wall-mount/concealed arm carrier bathroom sink with 8" widespread faucet hole

Features

- Made from premium materials that withstand high-volume usage
- 19-1/4" L x 17-1/4" W
- Faucet sold separately
- Ledge-back
- Includes wall hanger



Available Colors/Finishes

Color tiles intended for reference only.

- 0 White



1-800-4KOHLER (1-800-456-4537)
Kohler Co. reserves the right to make revisions without notice to product specifications.
For the most current specification sheet, go to www.kohler.com USA or www.kohler.ca Canada.
4-15-2026 3:6 - US-CA

THE BOLD LOOK
OF **KOHLER**

Codes/Standards

ADA compliant when installed to the specific requirements of these regulations.

ADA

ASME A112.19.2/CSA B45.1

ADA

ICC/ANSI A117.1

Technical Information

Number of Deck Holes:	3
Faucet Hole(s) Size:	1-3/8" (35 mm)
Center(s):	8" (203 mm)
With Overflow:	Yes
Drain Hole Diameter:	1-3/4" (44 mm)
Basin Configuration:	Single Bowl
Basin Length:	14" (356 mm)
Basin Width:	11" (279 mm)
Basin Depth:	8-7/8" (226 mm)

Material

- Vitreous china

Recommended Products/Accessories

K-23726 Drain treatment

K-8998 Adjustable P-trap with tubing outlet, 1-1/4" x 1-1/4"

K-23725 Cast iron cleaner

Warranty

See website for detailed warranty information.

KOHLER® Vitreous China Bathroom Sink Lifetime Limited Warranty

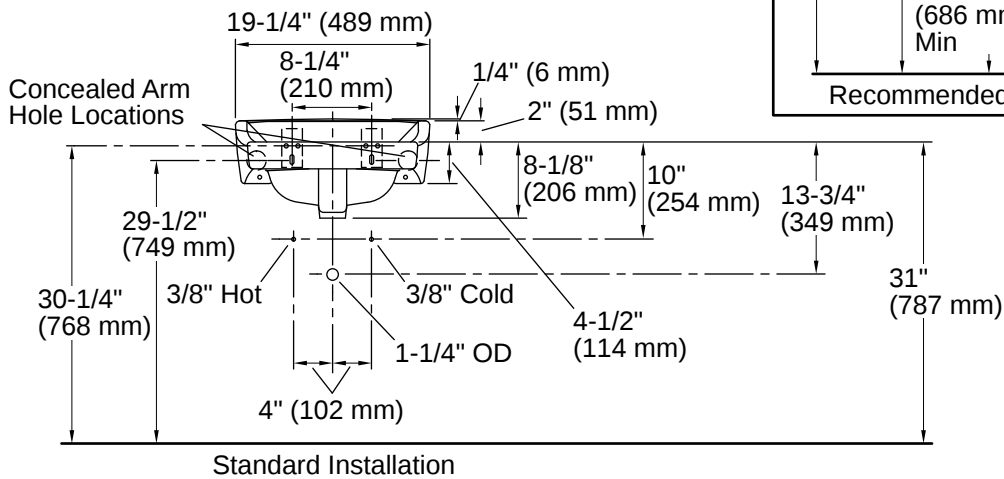
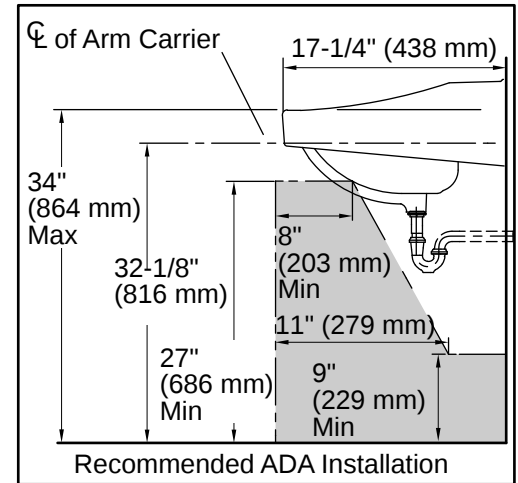
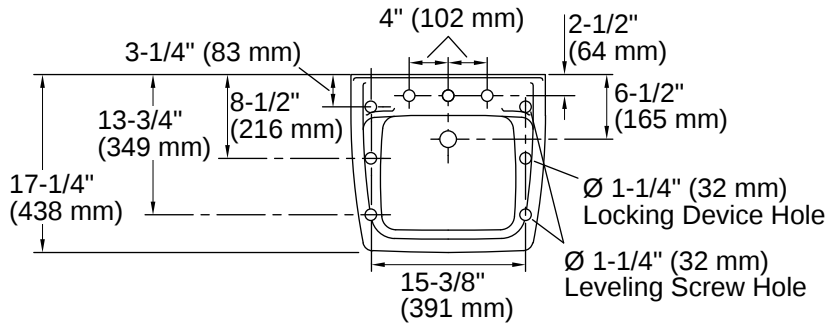


1-800-4KOHLER (1-800-456-4537)

Kohler Co. reserves the right to make revisions without notice to product specifications.

For the most current specification sheet, go to www.kohler.com USA or www.kohler.ca Canada.

4-15-2026 3:6 - US-CA



Installation

- Wall-mount
- Drilled for concealed arm carrier installation

Installation Notes

Install this product according to the installation instructions.

Product dimensions are nominal and may vary per ASME A112.19.2 tolerances.

ADA compliant when installed to the specific requirements of these regulations.

