



# Triton® | K-16010-4

Lever handles for centerset base faucet

## Features

- Polished Chrome lever handles
- Required to complete Triton centerset lavatory and Triton kitchen sink with escutcheon faucets
- Supplied with both Polished Chrome and vandal-resistant red and blue index buttons for your convenience



## Available Colors/Finishes

*Color tiles intended for reference only.*

- CP Polished Chrome



1-800-4KOHLER (1-800-456-4537)  
Kohler Co. reserves the right to make revisions without notice to product specifications.  
For the most current specification sheet, go to [www.kohler.com](http://www.kohler.com) USA or [www.kohler.ca](http://www.kohler.ca) Canada.  
4-14-2026 23:11 - US-CA

THE BOLD LOOK  
OF **KOHLER**®

---

## Codes/Standards

*ADA compliant when installed to the specific requirements of these regulations.*

ADA

ASME A112.18.1/CSA B125.1

ADA

ICC/ANSI A117.1

---

## Technical Information

*All product dimensions are nominal.*

### Handle

Handle Style/ Type:                      Lever

---

## Material

- Solid-brass construction for durability and reliability
- 

## Recommended Products/Accessories

K-23723 Faucet cleaner

---

## Warranty

*See website for detailed warranty information.*

KOHLER® Faucet Lifetime Limited Warranty

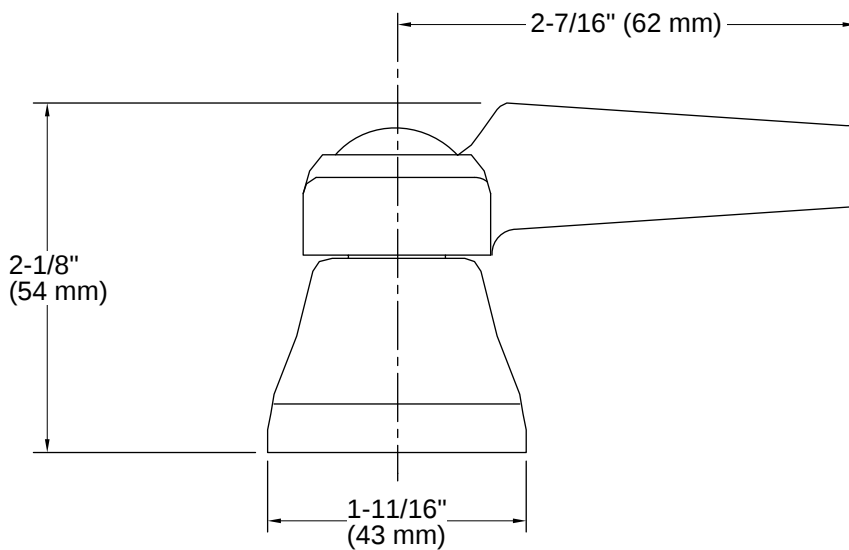


1-800-4KOHLER (1-800-456-4537)

Kohler Co. reserves the right to make revisions without notice to product specifications.

For the most current specification sheet, go to [www.kohler.com](http://www.kohler.com) USA or [www.kohler.ca](http://www.kohler.ca) Canada.

4-14-2026 23:11 - US-CA



## Installation Notes

*Install this product according to the installation instructions.*

ADA compliant when installed to the specific requirements of these regulations.

