



# Coralais® | K-15198-4ATA

Single-handle centerset lavatory faucet, 0.35 gpm

## Features

- 0.35 gpm (1.3 lpm) maximum flow rate at 60 psi (4.14 bar)
- Vandal-resistant aerator
- Red/blue indexing on handle
- One-piece, self-contained ceramic disc valve allows for both volume and temperature control
- KOHLER® ceramic disc valves exceed industry longevity standards for a lifetime of durable performance
- Grid drain with tailpiece



## Sustainability



## Available Colors/Finishes

*Color tiles intended for reference only.*

CP Polished Chrome



1-800-4KOHLER (1-800-456-4537)  
Kohler Co. reserves the right to make revisions without notice to product specifications.  
For the most current specification sheet, go to [www.kohler.com](http://www.kohler.com) USA or [www.kohler.ca](http://www.kohler.ca) Canada.  
4-15-2026 6:47 - US-CA

THE BOLD LOOK  
OF **KOHLER**

## Codes/Standards

ADA, OBC, CSA B651 compliant when installed to the specific requirements of these regulations.

ADA CSA B651 OBC

ASME A112.18.1/CSA B125.1  
NSF/ANSI/CAN 372  
NSF/ANSI/CAN 61  
DOE - Energy Policy Act 1992  
California Energy Commission (CEC)  
NSF/ANSI/CAN 61|NSF/ANSI/CAN 372  
ADA  
ICC/ANSI A117.1  
CSA B651  
OBC

## Technical Information

All product dimensions are nominal.

### Handle

Handle Style/ Type: Lever

### Spout

Spout Reach: 4-3/16" (106 mm)

### Flow Rate

Faucet Flow Rate: 0.35 gpm (1.3 l/min)

## Valves

Included Valves: Ceramic disc, Thermostatic Mixer

## Material

- Premium metal construction for durability and reliability
- KOHLER finishes resist corrosion and tarnishing

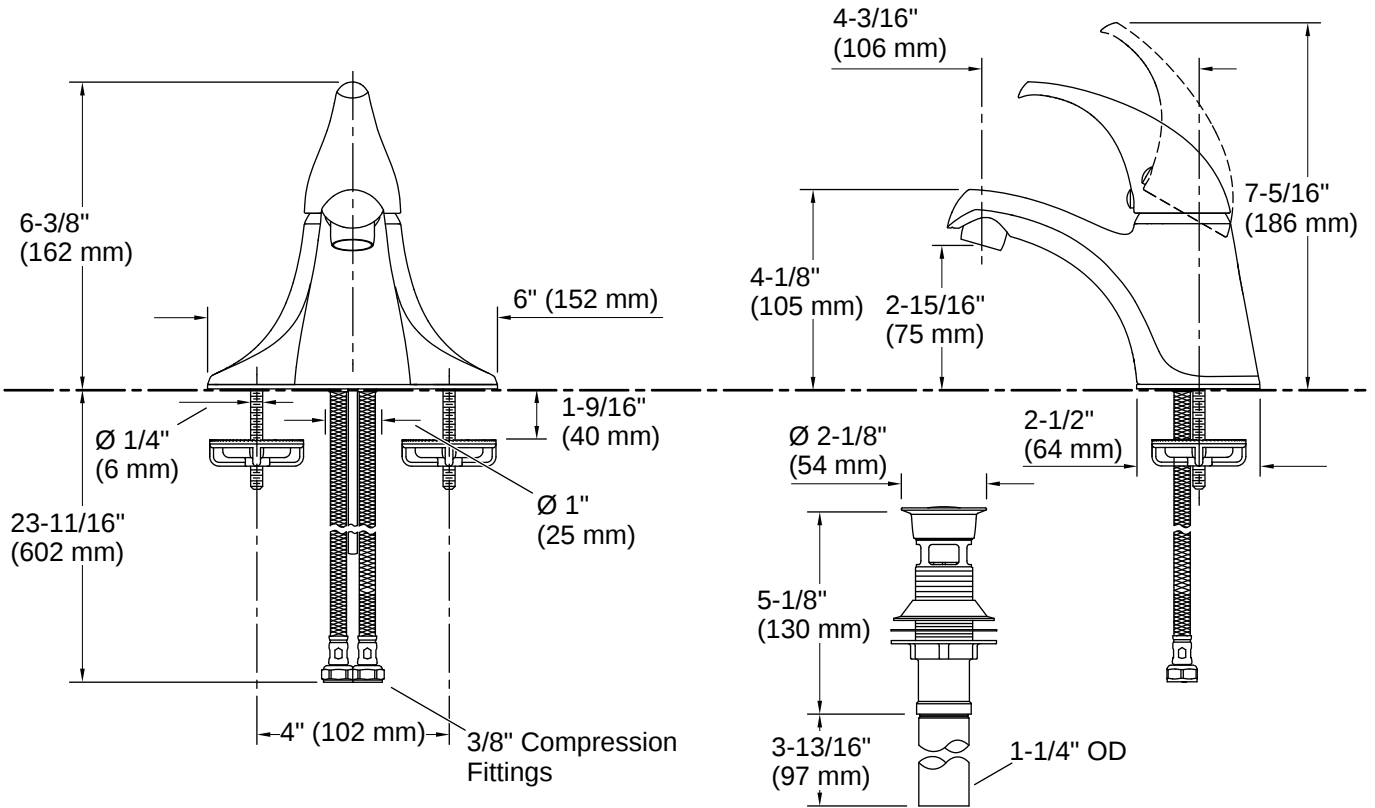
## Warranty

See website for detailed warranty information.

KOHLER® One-Year Limited Warranty



1-800-4KOHLER (1-800-456-4537)  
Kohler Co. reserves the right to make revisions without notice to product specifications.  
For the most current specification sheet, go to [www.kohler.com](http://www.kohler.com) USA or [www.kohler.ca](http://www.kohler.ca) Canada.  
4-15-2026 6:47 - US-CA



## Installation

- For 4" (102 mm) centers
- Preassembled handle and flexible supply hoses simplify installation

## Installation Notes

*Install this product according to the installation instructions.*

ADA, OBC, CSA B651 compliant when installed to the specific requirements of these regulations.

