



Purist® | K-14402-4A

Single-handle bathroom sink faucet with Straight Lever handle, 1.2 gpm

Features

- Single Lever handle allows for both volume and temperature control
- 1.2 gpm (4.5 lpm) maximum flow rate at 60 psi (4.14 bar)
- Includes metal pop-up drain with 1-1/4" (32 mm) tailpiece
- KOHLER® ceramic disc valves exceed industry longevity standards for a lifetime of durable performance
- Temperature memory allows faucet to be turned on and off at the temperature set during prior usage
- Coordinates with Purist faucets, accessories, and showering components to complete your bathroom
- Low-flow aerator option available



Sustainability



Available Colors/Finishes

Color tiles intended for reference only.

- CP Polished Chrome
- SN Vibrant Polished Nickel
- AF Vibrant French Gold
- BN Vibrant Brushed Nickel
- BV Vibrant Brushed Bronze
- BL Matte Black
- 2MB Vibrant Brushed Moderne Brass
- TT Vibrant Titanium
- BGP Vibrant Brushed Graphite



1-800-4KOHLER (1-800-456-4537)
Kohler Co. reserves the right to make revisions without notice to product specifications.
For the most current specification sheet, go to www.kohler.com USA or www.kohler.ca Canada.
4-15-2026 3:38 - US-CA

THE BOLD LOOK
OF **KOHLER**

Codes/Standards

ADA, OBC, CSA B651 compliant when installed to the specific requirements of these regulations.



ADA CSA B651 OBC

ASME A112.18.1/CSA B125.1
NSF/ANSI/CAN 372
NSF/ANSI/CAN 61
DOE - Energy Policy Act 1992
EPA WaterSense®
California Energy Commission (CEC)
ADA
ICC/ANSI A117.1
CSA B651
OBC

Technical Information

All product dimensions are nominal.

Handle

Handle Style/ Type: Lever

Spout

Spout Reach: 5-1/2" (140 mm)

Flow Rate

Faucet Flow Rate: 1.2 gpm (4.5 l/min)

Valves

Included Valves: Ceramic disc, Thermostatic, Volume Control

Material

- Premium metal construction for durability and reliability
- KOHLER finishes resist corrosion and tarnishing

Recommended Products/Accessories

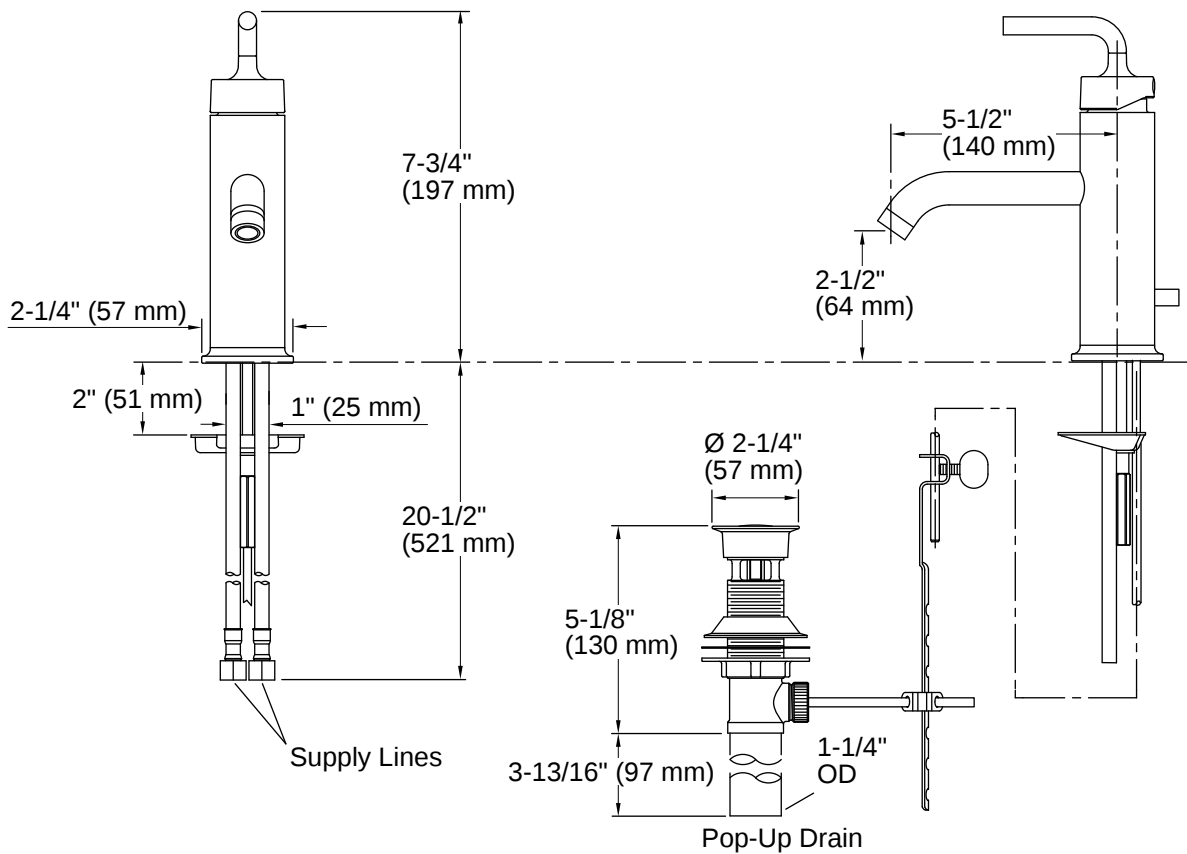
K-23726 Drain treatment
 K-23723 Faucet cleaner
 K-14375 24" Double towel bar
 K-14377 Pivoting toilet paper holder
 K-14435 18" towel bar
 K-14436 24" towel bar
 K-14441 Towel ring
 K-14443 Robe hook
 K-14444 Vertical toilet paper holder

Warranty

See website for detailed warranty information.

KOHLER® Faucet Lifetime Limited Warranty





Installation

- For single-hole installation
- Preattached flexible supply lines simplify installation

Installation Notes

Install this product according to the installation instructions.

ADA compliant for handles only.

ADA, OBC, CSA B651 compliant when installed to the specific requirements of these regulations.

