



Sartorial™ Herringbone Caxton® | K-14218-HD1

19-1/4" oval undermount bathroom sink, no overflow

Features

- Decorated with a textural Herringbone design on White background
- Deep oval basin
- No faucet holes; requires wall- or counter-mount faucet



Available Colors/Finishes

Color tiles intended for reference only.

- HD1-0 White Sartorial Herringbone



1-800-4KOHLER (1-800-456-4537)
Kohler Co. reserves the right to make revisions without notice to product specifications.
For the most current specification sheet, go to www.kohler.com USA or www.kohler.ca Canada.
4-15-2026 6:27 - US-CA

THE BOLD LOOK
OF **KOHLER**

Codes/Standards

ADA, CSA B651 compliant when installed to the specific requirements of these regulations.

ADA CSA B651

ASME A112.19.2/CSA B45.1

ADA

ICC/ANSI A117.1

CSA B651

Technical Information

Drain Hole Diameter:	1-3/4" (44 mm)
Basin Configuration:	Single Bowl
Basin Length:	17" (432 mm)
Basin Width:	14" (356 mm)
Basin Depth:	6-3/4" (171 mm)

Material

- Vitreous china
-

Recommended Products/Accessories

K-23726 Drain treatment

K-9018 Adjustable P-trap with long tubing outlet, 1-1/4" x 1-1/4"

K-23725 Cast iron cleaner

Warranty

See website for detailed warranty information.

KOHLER® Vitreous China Bathroom Sink Lifetime Limited Warranty

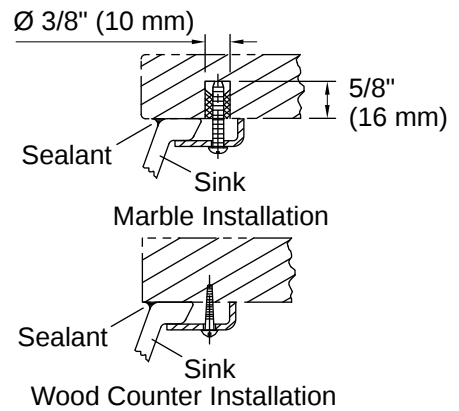
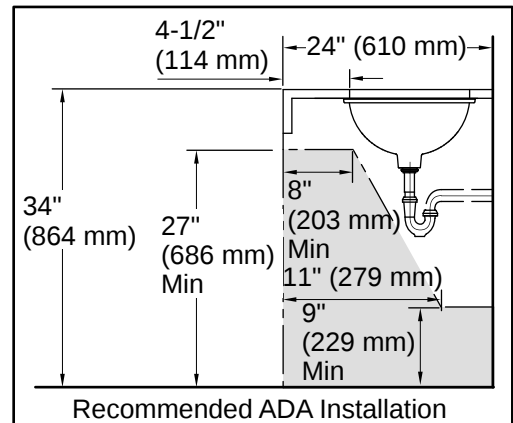
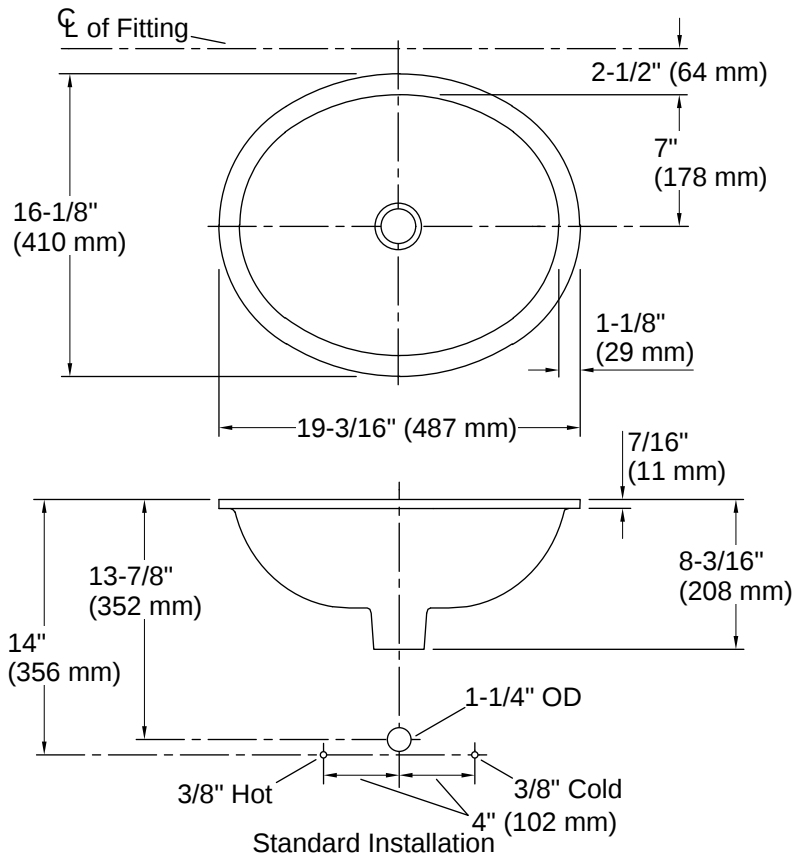


1-800-4KOHLER (1-800-456-4537)

Kohler Co. reserves the right to make revisions without notice to product specifications.

For the most current specification sheet, go to www.kohler.com USA or www.kohler.ca Canada.

4-15-2026 6:27 - US-CA



Installation

- Undermount

Installation Notes

Install this product according to the installation instructions.

NOTICE: Countertop manufacturer or cutter must use the current product template available at www.kohler.com, or by calling 1-800-4KOHLER. Kohler Co. is not responsible for cutout errors when the incorrect cutout template is used.

Product dimensions are nominal and may vary per ASME A112.19.2 tolerances.

ADA, CSA B651 compliant when installed to the specific requirements of these regulations.

