



Memoirs® | K-1418-GH

72" x 42" drop-in Heated BubbleMassage™ air bath

Features

- 122 airjets release thousands of heated bubbles that surround, support, and massage the body
- Variable-speed blower lets you adjust massage intensity to 18 levels
- Built-in heater
- Automatic and manual purge cycles remove residual water from air channels after use
- 60-minute automatic shutoff timer
- Spacious design accommodates up to two bathers
- Integral lumbar support
- Keypad control
- Textured bottom surface
- Coordinates with other products in the Memoirs collection



Available Colors/Finishes

Color tiles intended for reference only.

- 0 White
- 96 Biscuit



Codes/Standards

ASME A112.19.7/CSA B45.10
CSA B45.5/IAPMO Z124
ASTM E162
ASTM E662
UL 1795
CSA C22.2 No. 218.2
cUL Listed
UL Listed

Technical Information

All product dimensions are nominal.

Drain Location:	Center
Drain Hole Diameter:	2-1/4" (57 mm)
Minimum Flat for Door:	3-13/16" (97 mm)
Basin Area, Bottom:	48" x 27" (1219 mm x 686 mm)
Basin Area, Top:	60" x 30" (1524 mm x 762 mm)
Water Depth:	16" (406 mm)
Water Capacity:	94 gal (355.8 L)
Minimum Floor Load:	54 lbs/ft ²
Weight:	156 lbs (70.8 kg)
Cutout:	Drop-in, 70-1/2" x 40-1/2" (1791 mm x 1029 mm)

Material

- Acrylic

Recommended Products/Accessories

K-1491 Bath/whirlpool pillow, removable
K-1601 Bath/whirlpool footstop, removable

Required Products/Accessories

- K-11677 Adjustable drain, 20-gauge brass, for 18-1/2" to 20-1/2" baths
- or
- K-T37392 Rotary-turn bath drain trim
 - K-T37391 Rotary-turn bath drain trim
- or
- K-78439 45" cable bath drain
 - K-37385 Rough-in cable drain, PVC, 45" cable, less horizontal tube

Technology

- Heated BubbleMassage™ technology warms and humidifies air before it enters the bath

Required Electrical Service

Two dedicated circuits required, protected with Class A Ground-Fault Circuit-Interrupter (GFCI). Outside North America, this device may be known as a Residual Current Device (RCD).

Blower:	120 V, 15 A, 60 Hz
Air bath:	120 V, 15 A, 60 Hz

Electrical Component Ratings

Blower:	120 V, 10 A
Air bath:	120 V, 5 A, 60 Hz

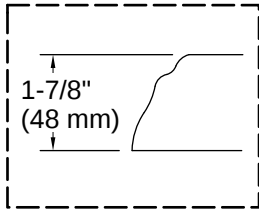
Warranty

See website for detailed warranty information.

KOHLER® Plastic Baths and Shower Bases Lifetime Limited Warranty|KOHLER® Hydrotherapy Components Five-Year Limited Warranty

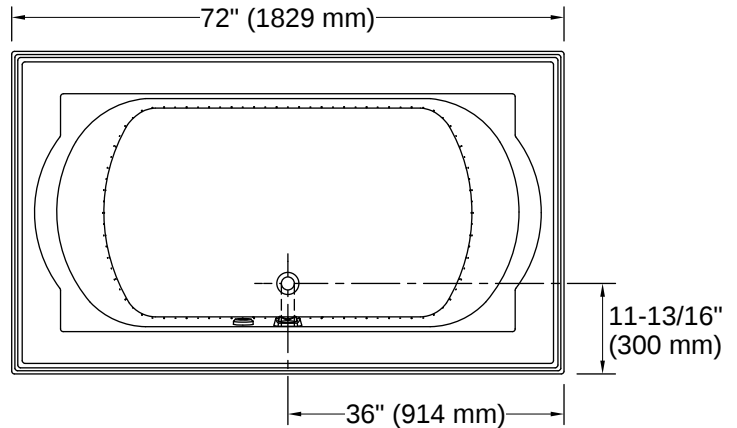
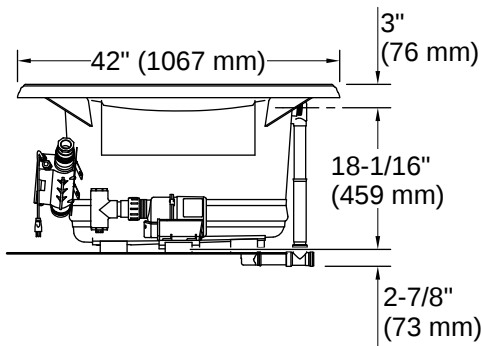


No change in measurements if connected with drain illustrated. (K-7161-AF)

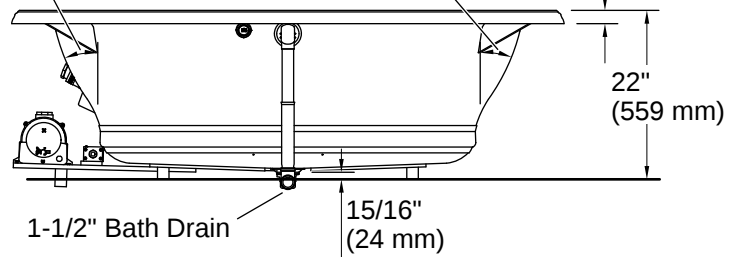


Drop-in Rim Detail

Blower Motor Access
34" (864 mm) W x 15" (381 mm) H Min



Lumbar Angle 25°



Installation

- Drop-in
- Rear center drain

Installation Notes

Install this product according to the installation instructions.

Measure your actual product for rough-in details.

The hot water supply should be 70% of the capacity of the bath or greater. Installations will vary.

