



Memoirs® | K-1417

72" x 42" drop-in bath

Features

- Spacious design accommodates up to two bathers
- Coordinates with other products in the Memoirs collection



Available Colors/Finishes

Color tiles intended for reference only.

- 0 White



1-800-4KOHLER (1-800-456-4537)
Kohler Co. reserves the right to make revisions without notice to product specifications.
For the most current specification sheet, go to www.kohler.com USA or www.kohler.ca Canada.
4-15-2026 3:0 - US-CA

THE BOLD LOOK
OF **KOHLER**®

Codes/Standards

CSA B45.5/IAPMO Z124
ASTM E162
ASTM E662

Technical Information

All product dimensions are nominal.

Drain Location:	Center
Drain Hole Diameter:	2-1/4" (57 mm)
Minimum Flat for Door:	3-13/16" (97 mm)
Basin Area, Bottom:	48" x 27" (1219 mm x 686 mm)
Basin Area, Top:	60" x 30" (1524 mm x 762 mm)
Water Depth:	16" (406 mm)
Water Capacity:	94 gal (355.8 L)
Minimum Floor Load:	43 lbs/ft ²
Weight:	86 lbs (39 kg)
Cutout:	Drop-in, 70-1/2" x 40-1/2" (1791 mm x 1029 mm)

Material

- Acrylic

Recommended Products/Accessories

K-23726 Drain treatment

K-23732 Tub & shower cleaner

K-7213 Cable bath drain with PVC tubing

K-7214 Cable bath drain, less PVC tubing

K-7265 Brass toe tap bath drain

Required Products/Accessories

- K-T37392 Rotary-turn bath drain trim
- K-T37391 Rotary-turn bath drain trim

or

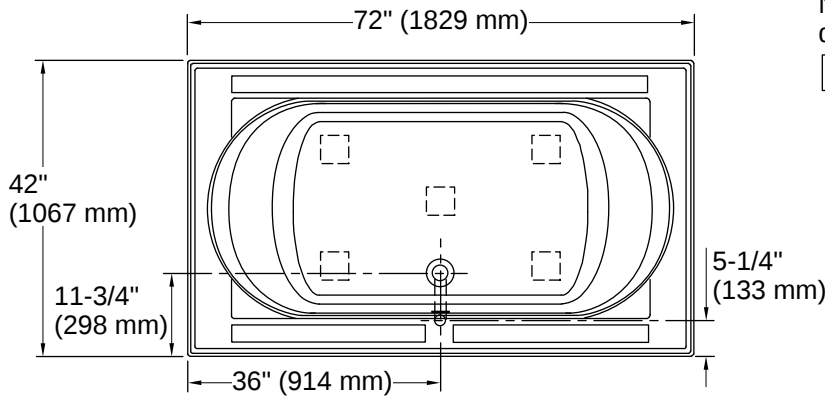
- K-78439 45" cable bath drain
- K-37385 Rough-in cable drain, PVC, 45" cable, less horizontal tube

Warranty


See website for detailed warranty information.

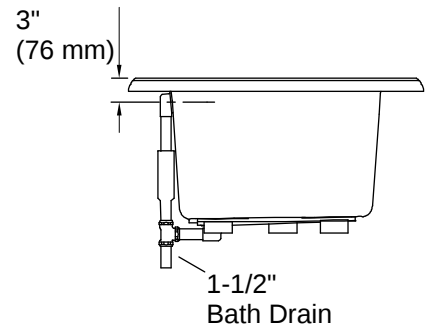
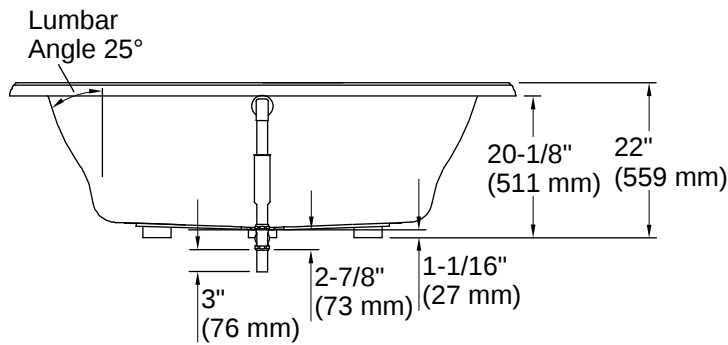
KOHLER® Plastic Baths and Shower Bases Lifetime Limited Warranty





No change in measurements if connected with drain illustrated. (K-7161-AF)

 Recommended Faucet Location



Installation

- Drop-in

Installation Notes

Install this product according to the installation instructions.

Measure your actual product for rough-in details.

The hot water supply should be 70% of the capacity of the bath or greater. Installations will vary.

If installing a rim-mount faucet, make sure there is no interference above or below the deck before drilling any holes.

