



Marrakesh™ Camber® | K-14046-BU

16-1/4" round undermount bathroom sink, no overflow


Features

- Decorated with a Moroccan pattern on Biscuit background
- Round basin
- No faucet holes; requires wall- or counter-mount faucet
- Marrakesh™ design
- Part of the Top Art® Collection
- Fits industry-standard 30" (762 mm) vanities
- Pairs with the K-14031-BU Marrakesh vanity top (sold separately)



Available Colors/Finishes

Color tiles intended for reference only.

 BU-96 Marrakesh



1-800-4KOHLER (1-800-456-4537)
Kohler Co. reserves the right to make revisions without notice to product specifications.
For the most current specification sheet, go to www.kohler.com USA or www.kohler.ca Canada.
4-14-2026 23:5 - US-CA

THE BOLD LOOK
OF **KOHLER**

Codes/Standards

ADA, CSA B651 compliant when installed to the specific requirements of these regulations.

ADA CSA B651

ASME A112.19.2/CSA B45.1

ADA

ICC/ANSI A117.1

CSA B651

Technical Information

Drain Hole Diameter:	1-3/4" (44 mm)
Basin Configuration:	Single Bowl
Basin Length:	13-13/16" (351 mm)
Basin Width:	13-13/16" (351 mm)
Basin Depth:	4-5/8" (117 mm)

Material

- Vitreous china
-

Recommended Products/Accessories

K-23726 Drain treatment

K-23725 Cast iron cleaner

Warranty

See website for detailed warranty information.

KOHLER® Vitreous China Bathroom Sink Lifetime Limited Warranty

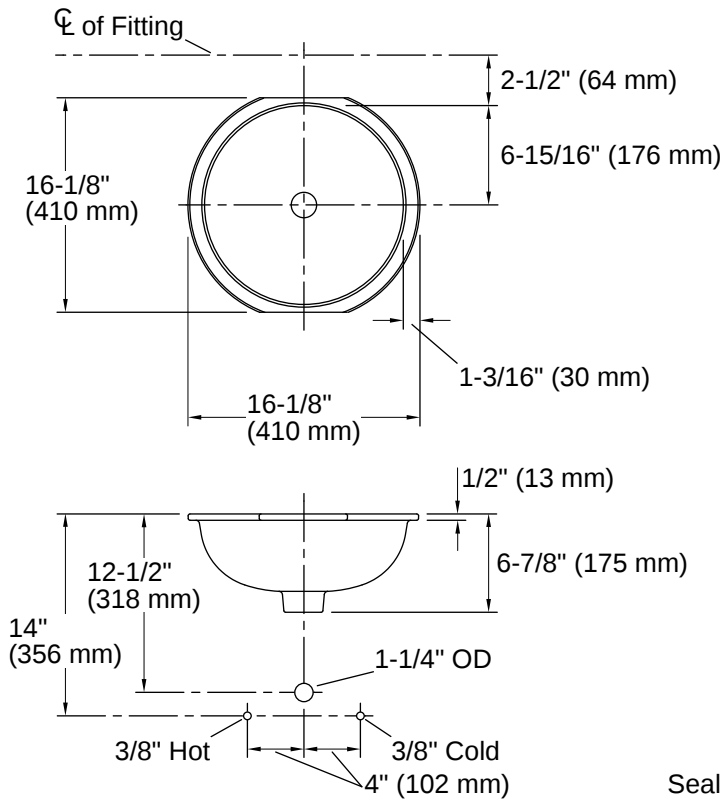


1-800-4KOHLER (1-800-456-4537)

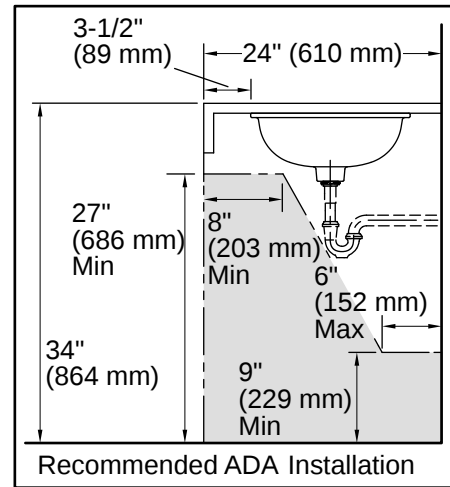
Kohler Co. reserves the right to make revisions without notice to product specifications.

For the most current specification sheet, go to www.kohler.com USA or www.kohler.ca Canada.

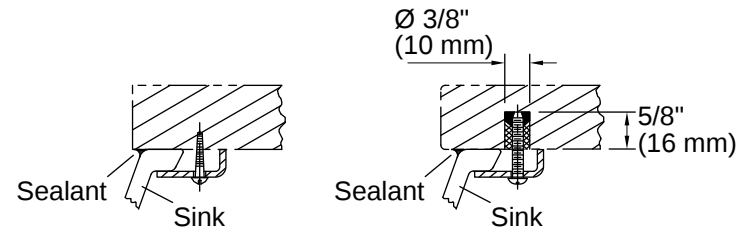
4-14-2026 23:5 - US-CA



Standard Installation



Recommended ADA Installation



Wood Counter Installation

Marble Installation

Installation

- Undermount

Installation Notes

Install this product according to the installation instructions.

NOTICE: Countertop manufacturer or cutter must use the current product template available at www.kohler.com, or by calling 1-800-4KOHLER. Kohler Co. is not responsible for cut-out errors when the incorrect cutout template is used.

Product dimensions are nominal and may vary per ASME A112.19.2 tolerances.

ADA, CSA B651 compliant when installed to the specific requirements of these regulations.

