

## Gooseneck | K-13472

Touchless single-hole lavatory faucet with Insight™ sensor technology and temperature mixer, DC-powered, 0.5 gpm

### Features

- 0.5 gpm (1.9 lpm) maximum flow rate
- Factory-set 30-second maximum continual run cycle
- Vandal-resistant aerator
- 24" (610 mm) flexible supply hose for easy installation
- Less drain
- Includes two AAA batteries



### Sustainability



### Available Colors/Finishes

*Color tiles intended for reference only.*

■ VS Vibrant Stainless



## Codes/Standards

ADA, OBC, CSA B651 compliant when installed to the specific requirements of these regulations.

ADA   CSA B651   OBC

ASME A112.18.1/CSA B125.1  
NSF/ANSI/CAN 372  
DOE - Energy Policy Act 1992  
ADA  
ICC/ANSI A117.1  
CSA B651  
OBC

---

## Technical Information

All product dimensions are nominal.

### Spout

Spout Reach: 6-3/16" (157 mm)

### Flow Rate

Faucet Flow Rate: 0.5 gpm (1.9 l/min)

---

## Valves

Included Valve: UltraGlide

---

## Material

- Brass
- 

## Recommended Products/Accessories

K-23726 Drain treatment

K-23723 Faucet cleaner

---

## Technology

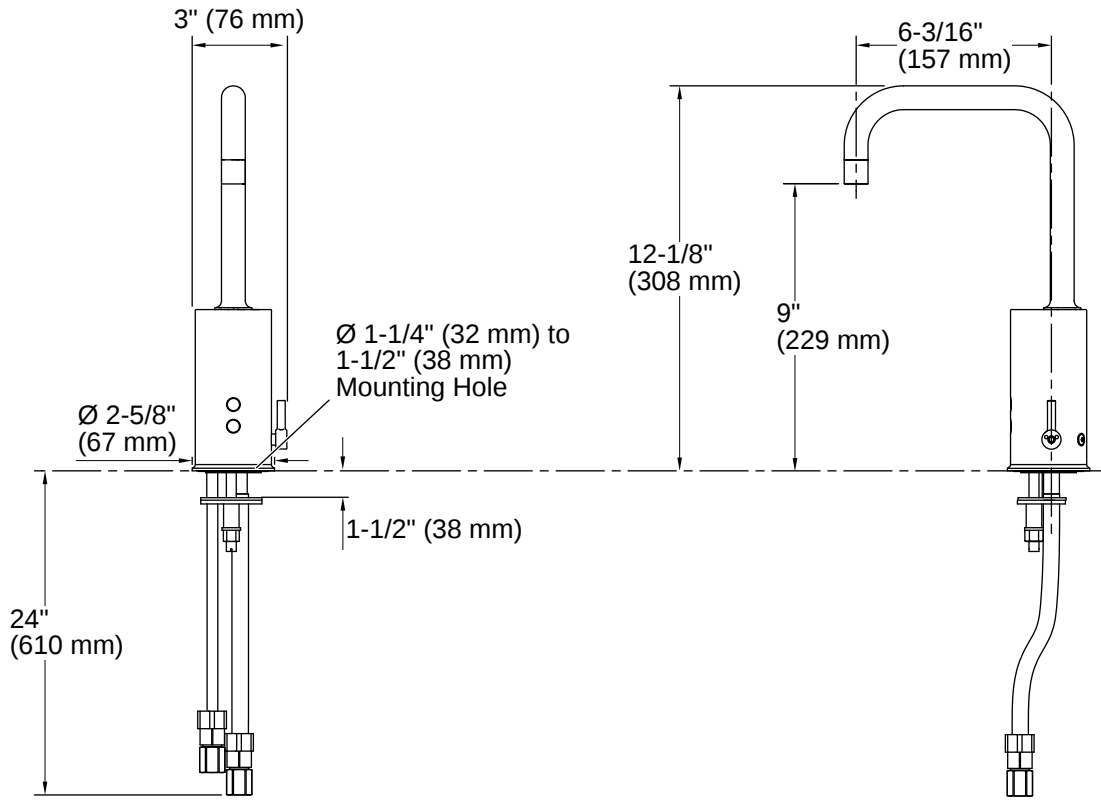
- Electronic Insight™ sensor technology for accurate and consistent activation
- 

## Warranty

See website for detailed warranty information.

KOHLER® One-Year Limited Warranty





**Installation**

- Single-hole mounting
- Above-counter battery and valve for easy installation and maintenance

**Installation Notes**

*Install this product according to the installation instructions.*

A 1-1/4" (32 mm) minimum to 1-1/2" (38 mm) maximum diameter mounting hole is required.

The minimum distance between the back of the faucet spout and the wall must be 1-3/4" (44 mm). This will allow proper clearance for setscrew access.

The maximum distance between the bathroom sink basin edge to the base of the faucet spout must be 1-3/4" (44 mm).

The maximum height of the lip basin should be 3/4" (19 mm).

Product includes rosebud spray aerator. Other aerator styles are available.

ADA, OBC, CSA B651 compliant when installed to the specific requirements of these regulations.

