

Sculpted | K-13463

Touchless single-hole lavatory faucet with Insight™ sensor technology, AC-powered, 0.5 gpm

Features

- 0.5 gpm (1.9 lpm) maximum flow rate
- Factory-set 30-second maximum continual run cycle
- Vandal-resistant aerator
- 24" (610 mm) flexible supply hose for easy installation
- Less temperature mixer
- Less drain



Sustainability



Available Colors/Finishes

Color tiles intended for reference only.

■ CP Polished Chrome



Codes/Standards

ADA, OBC, CSA B651 compliant when installed to the specific requirements of these regulations.

ADA CSA B651 OBC

ASME A112.18.1/CSA B125.1
NSF/ANSI/CAN 372
DOE - Energy Policy Act 1992
ADA
ICC/ANSI A117.1
CSA B651
OBC

Technical Information

All product dimensions are nominal.

Spout

Spout Reach: 5" (127 mm)

Flow Rate

Faucet Flow Rate: 0.5 gpm (1.9 l/min)

Valves

Included Valve: Thermostatic Mixer

Material

- Brass

Recommended Products/Accessories

K-23726 Drain treatment
K-13487 4' cable assembly
K-13602 6' cable assembly
K-13604 10' cable assembly
K-23723 Faucet cleaner

Required Products/Accessories

- K-13480-A AC single supply, North American outlets
- or
- K-13481-A Multi-outlet power supply, North American outlets
- or
- K-13480 AC single supply, global outlets
- or
- K-13481 Multi-outlet power supply, global outlets

Technology

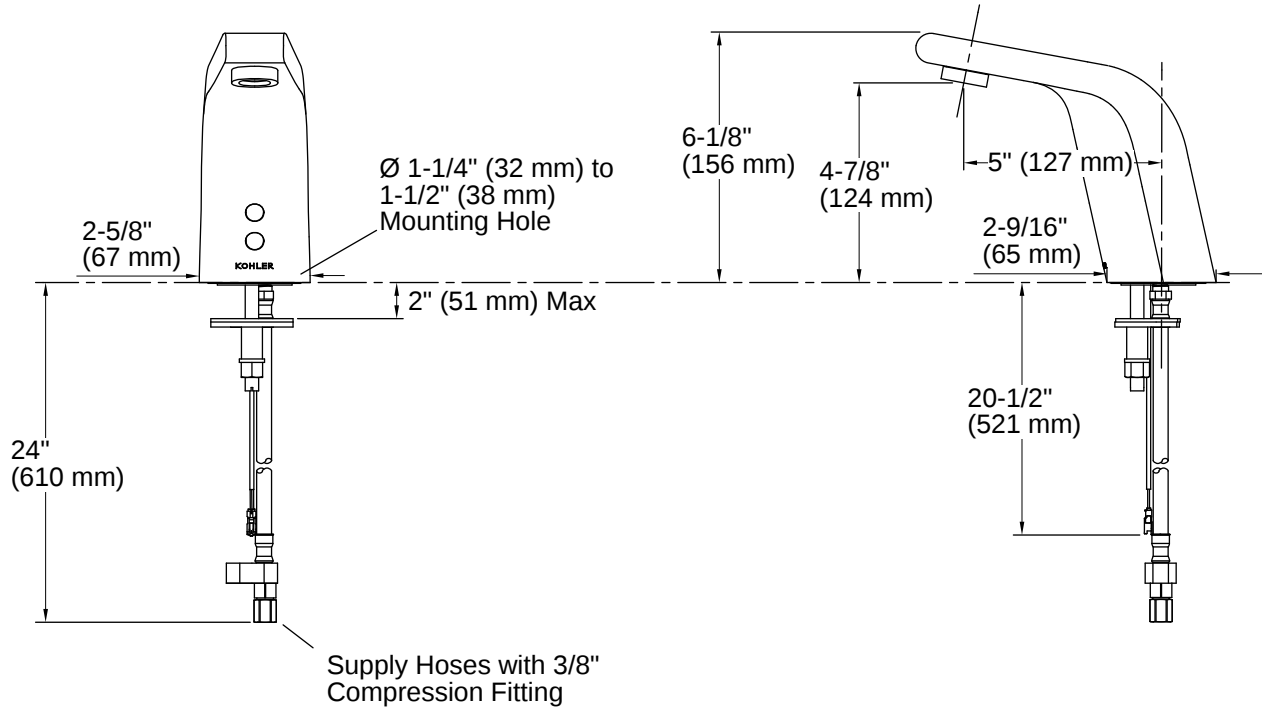
- Requires an AC power supply
- Electronic Insight™ sensor technology for accurate and consistent activation

Warranty

See website for detailed warranty information.

KOHLER® One-Year Limited Warranty





Installation

- Single-hole mounting
- Above-counter valve for easy installation and maintenance
- Please order 13480-A or 13481-A power supplies for North America installations

Installation Notes

Install this product according to the installation instructions.

A $1\text{-}1/4\text{'' (32 mm)}$ minimum to $1\text{-}1/2\text{'' (38 mm)}$ maximum diameter mounting hole is required.

The minimum distance between the back of the faucet spout and the wall must be $1\text{-}3/4\text{'' (44 mm)}$. This will allow proper clearance for setscrew access.

The maximum distance between the bathroom sink basin edge to the base of the faucet spout must be $1\text{-}3/4\text{'' (44 mm)}$.

The maximum height of the lip basin should be $3/4\text{'' (19 mm)}$.

Product includes rosebud spray aerator. Other aerator styles are available.

This product requires an AC power supply (not included).

ADA, OBC, CSA B651 compliant when installed to the specific requirements of these regulations.

