



Sculpted | K-13462-SATA

Touchless single-hole lavatory faucet with Insight™ sensor technology and temperature mixer, AC-powered, less drain, 0.35 gpm

Features

- 0.35 gpm (1.3 lpm) maximum flow rate at 60 psi (4.14 bar)
- Factory-set 30-second maximum continual run cycle
- Vandal-resistant aerator
- 24" (610 mm) flexible supply hose for easy installation
- Less drain



Sustainability



Available Colors/Finishes

Color tiles intended for reference only.

- CP Polished Chrome



1-800-4KOHLER (1-800-456-4537)
Kohler Co. reserves the right to make revisions without notice to product specifications.
For the most current specification sheet, go to www.kohler.com USA or www.kohler.ca Canada.
4-15-2026 6:47 - US-CA

THE BOLD LOOK
OF **KOHLER**

Codes/Standards

ADA, OBC, CSA B651 compliant when installed to the specific requirements of these regulations.

ADA CSA B651 OBC

ASME A112.18.1/CSA B125.1
NSF/ANSI/CAN 372
DOE - Energy Policy Act 1992
California Energy Commission (CEC)
NSF/ANSI/CAN 372
ADA
ICC/ANSI A117.1
CSA B651
OBC

Technical Information

All product dimensions are nominal.

Spout

Spout Reach: 5" (127 mm)

Flow Rate

Faucet Flow Rate: 0.35 gpm (1.3 l/min)

Valves

Included Valve: Thermostatic Mixer

Material

- Brass

Technology

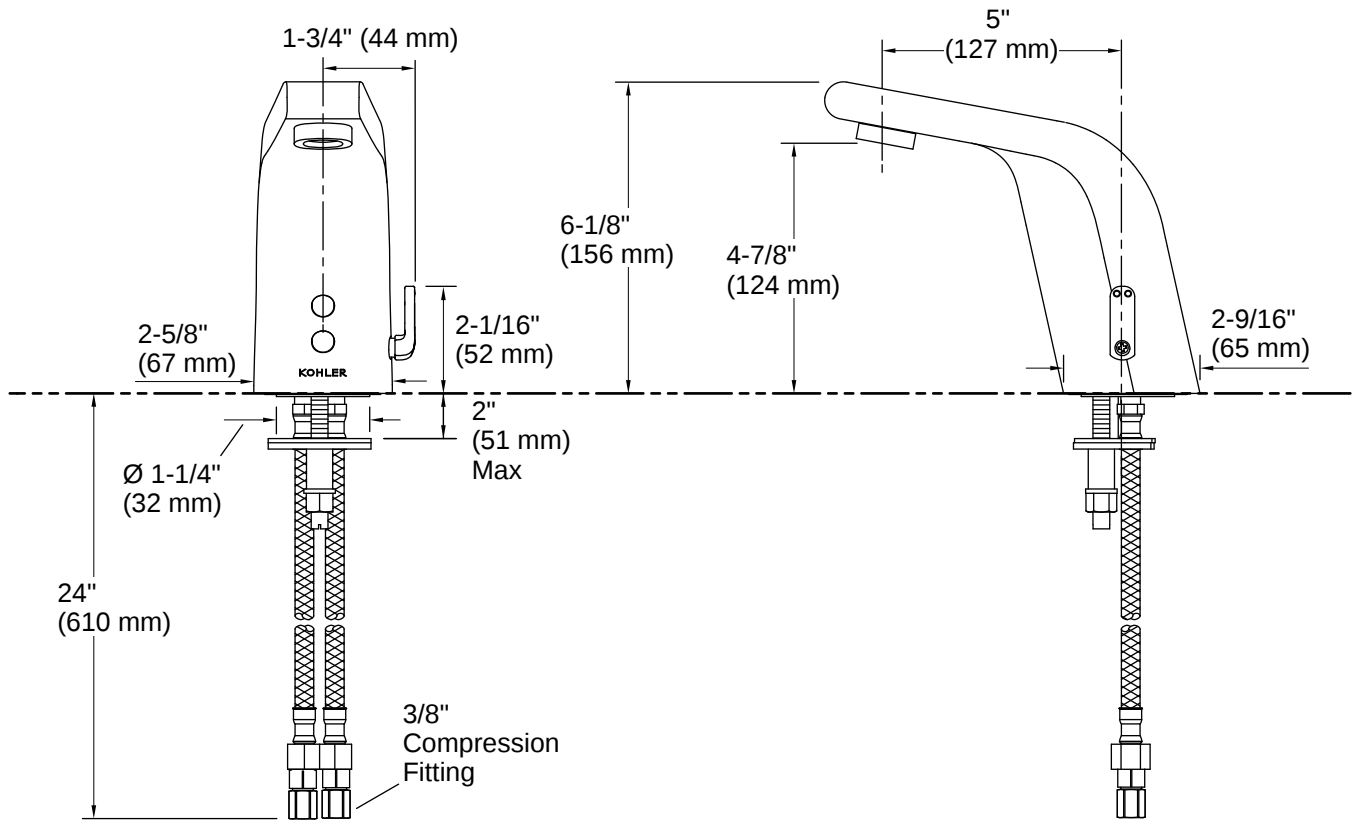
- Requires an AC power supply
- Electronic Insight™ sensor technology for accurate and consistent activation

Warranty

See website for detailed warranty information.

KOHLER® Electronic Faucets, Valves, and Controls Five-Year Limited Warranty





Installation

- Single-hole mounting
- Above-counter valve for easy installation and maintenance
- 13480-A and 13481-A power supplies are designed for North America outlets. For international outlets please use 13480 and 13481

Installation Notes

Install this product according to the installation instructions.

ADA, OBC, CSA B651 compliant when installed to the specific requirements of these regulations.

