



# Sculpted | K-13460-SATA

Touchless single-hole lavatory faucet with Insight™ sensor technology and temperature mixer, DC-powered, less drain, 0.35 gpm

## Features

- 0.35 gpm (1.3 lpm) maximum flow rate at 60 psi (4.14 bar)
- Factory-set 30-second maximum continual run cycle
- Vandal-resistant aerator
- 24" (610 mm) flexible supply hose for easy installation
- Includes two AAA batteries
- Less drain



## Sustainability



1-800-4KOHLER (1-800-456-4537)  
Kohler Co. reserves the right to make revisions without notice to product specifications.  
For the most current specification sheet, go to [www.kohler.com](http://www.kohler.com) USA or [www.kohler.ca](http://www.kohler.ca) Canada.  
4-15-2026 6:46 - US-CA

THE BOLD LOOK  
OF **KOHLER**

## Codes/Standards

ADA, OBC, CSA B651 compliant when installed to the specific requirements of these regulations.

ADA   CSA B651   OBC

ASME A112.18.1/CSA B125.1  
NSF/ANSI/CAN 372  
DOE - Energy Policy Act 1992  
California Energy Commission (CEC)  
NSF/ANSI/CAN 372  
ADA  
ICC/ANSI A117.1  
CSA B651  
OBC

## Technical Information

All product dimensions are nominal.

### Spout

Spout Reach: 5" (127 mm)

### Flow Rate

Faucet Flow Rate: 0.35 gpm (1.3 l/min)

## Valves

Included Valves: UltraGlide, Thermostatic Mixer

## Material

- Brass

## Technology

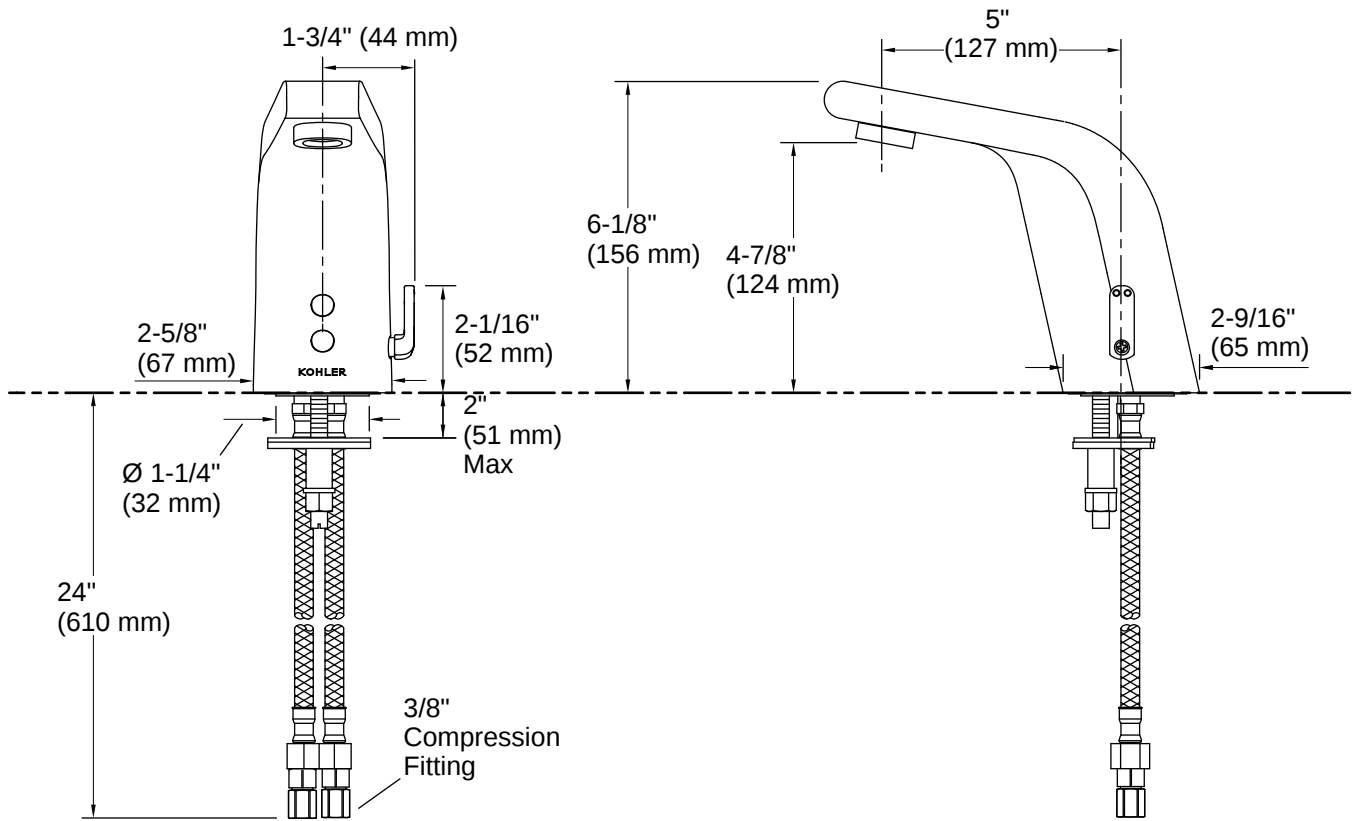
- Electronic Insight™ sensor technology for accurate and consistent activation

## Warranty

See website for detailed warranty information.

KOHLER® One-Year Limited Warranty





## Installation

- Single-hole mounting
- Above-counter valve for easy installation and maintenance

## Installation Notes

*Install this product according to the installation instructions.*

ADA, OBC, CSA B651 compliant when installed to the specific requirements of these regulations.

