



# Mariposa® | K-1259-L

72" x 36" alcove bath, left drain

## Features

- 72"L x 36"W x 20"H
- Designed for quick and easy installation
- Includes integral flange to simplify installation and prevent the possibility of water damage behind the wall
- Textured bottom surface



## Available Colors/Finishes

*Color tiles intended for reference only.*

- 0 White



---

## Codes/Standards

CSA B45.5/IAPMO Z124

ASTM E162

ASTM E662

---

## Technical Information

*All product dimensions are nominal.*

Drain Location:	Left
Drain Hole Diameter:	2-5/16" (58 mm)
Minimum Flat for Door:	2-1/8" (54 mm)
Basin Area, Bottom:	50" x 24" (1270 mm x 610 mm)
Basin Area, Top:	65" x 27" (1651 mm x 686 mm)
Water Depth:	14" (356 mm)
Water Capacity:	72 gal (272.5 L)
Minimum Floor Load:	39 lbs/ft <sup>2</sup>
Weight:	77 lbs (34.9 kg)

---

## Material

- Acrylic
- 

## Recommended Products/Accessories

K-1491 Bath/whirlpool pillow, removable

K-1601 Bath/whirlpool footstop, removable

K-23726 Drain treatment

K-23732 Tub & shower cleaner

K-7213 Cable bath drain with PVC tubing

K-7214 Cable bath drain, less PVC tubing

K-7259 Brass toe tap bath drain

K-7265 Brass toe tap bath drain

---

## Warranty

*See website for detailed warranty information.*

KOHLER® Plastic Baths and Shower Bases Lifetime Limited Warranty

---

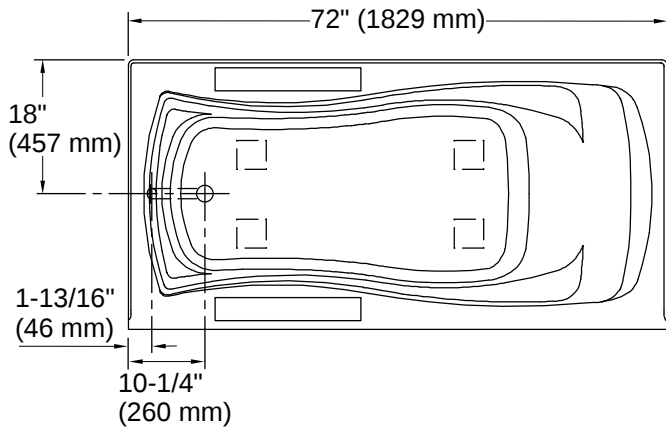


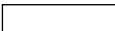
1-800-4KOHLER (1-800-456-4537)

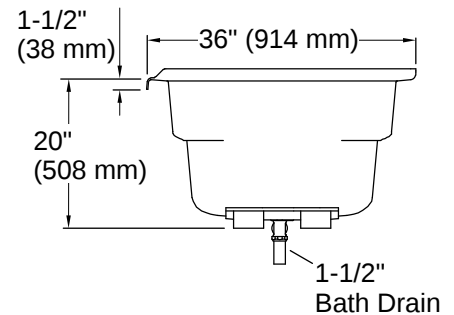
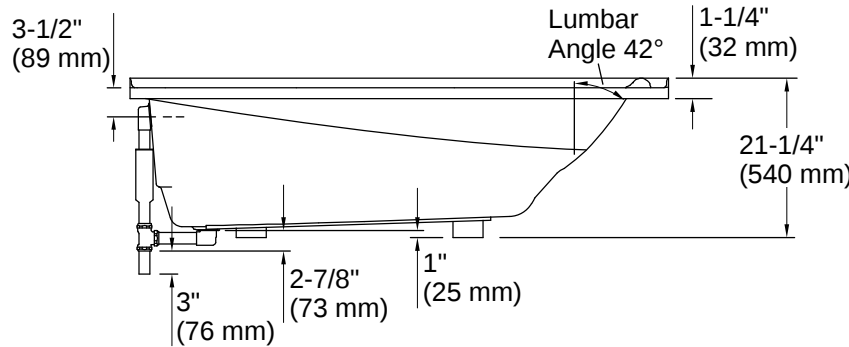
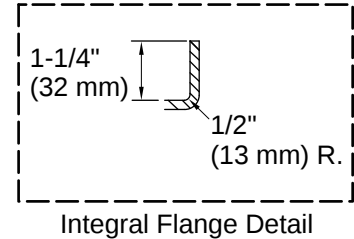
Kohler Co. reserves the right to make revisions without notice to product specifications.

For the most current specification sheet, go to [www.kohler.com](http://www.kohler.com) USA or [www.kohler.ca](http://www.kohler.ca) Canada.

4-14-2026 23:4 - US-CA



No change in measurements if connected with drain illustrated. (K-7166-AF)  
 Recommended Faucet Location



Installation

- Alcove

Installation Notes

*Install this product according to the installation instructions.*

Measure your actual product for rough-in details.  
 The hot water supply should be 70% of the capacity of the bath or greater. Installations will vary.  
 If installing a rim-mount faucet, make sure there is no interference above or below the deck before drilling any holes.

