



Mariposa[®] | K-1257-R

72" x 36" alcove whirlpool bath, right drain

Features

- 72"L x 36"W x 20"H
- Includes integral flange to simplify installation and prevent the possibility of water damage behind the wall
- Six adjustable ProFlex[®] whirlpool jets for maximum bather comfort
- Innovative technology enables this pump to provide a strong, steady level of hydromassage
- Textured bottom surface



Available Colors/Finishes

Color tiles intended for reference only.

- 0 White



1-800-4KOHLER (1-800-456-4537)
Kohler Co. reserves the right to make revisions without notice to product specifications.
For the most current specification sheet, go to www.kohler.com USA or www.kohler.ca Canada.
4-14-2026 23:4 - US-CA

THE BOLD LOOK
OF **KOHLER**[®]

Codes/Standards

ASME A112.19.7/CSA B45.10
 CSA B45.5/IAPMO Z124
 ASTM E162
 ASTM E662
 UL 1795
 UL Listed

Technical Information

All product dimensions are nominal.

Drain Location:	Right
Drain Hole Diameter:	2-1/4" (57 mm)
Basin Area, Bottom:	50" x 24" (1270 mm x 610 mm)
Basin Area, Top:	65" x 27" (1651 mm x 686 mm)
Water Depth:	14" (356 mm)
Water Capacity:	72 gal (272.5 L)
Minimum Floor Load:	41 lbs/ft ²
Weight:	110 lbs (49.9 kg)

Material

- Acrylic

Recommended Products/Accessories

K-1491 Bath/whirlpool pillow, removable
 K-1601 Bath/whirlpool footstop, removable
 K-23726 Drain treatment
 K-23732 Tub & shower cleaner
 K-7213 Cable bath drain with PVC tubing
 K-7214 Cable bath drain, less PVC tubing
 K-7259 Brass toe tap bath drain
 K-7265 Brass toe tap bath drain

Required Electrical Service

One dedicated circuit required, protected with Class A Ground-Fault Circuit-Interrupter (GFCI). Outside North America, this device may be known as a Residual Current Device (RCD).

Pump: 120 V, 15 A, 60 Hz

Electrical Component Ratings

Pump: 120 V, 7.5 A, 60 Hz

Number of Speeds: Single

Warranty

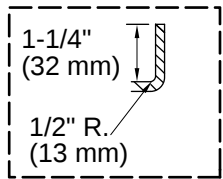
See website for detailed warranty information.

KOHLER® Plastic Baths and Shower Bases Lifetime Limited
 Warranty|KOHLER® Hydrotherapy Components Five-Year Limited
 Warranty

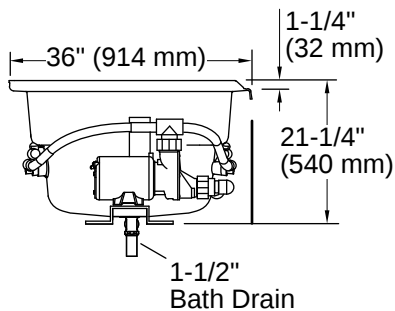


No change in measurements if connected with drain illustrated. (K-11677)

 Recommended Faucet Location

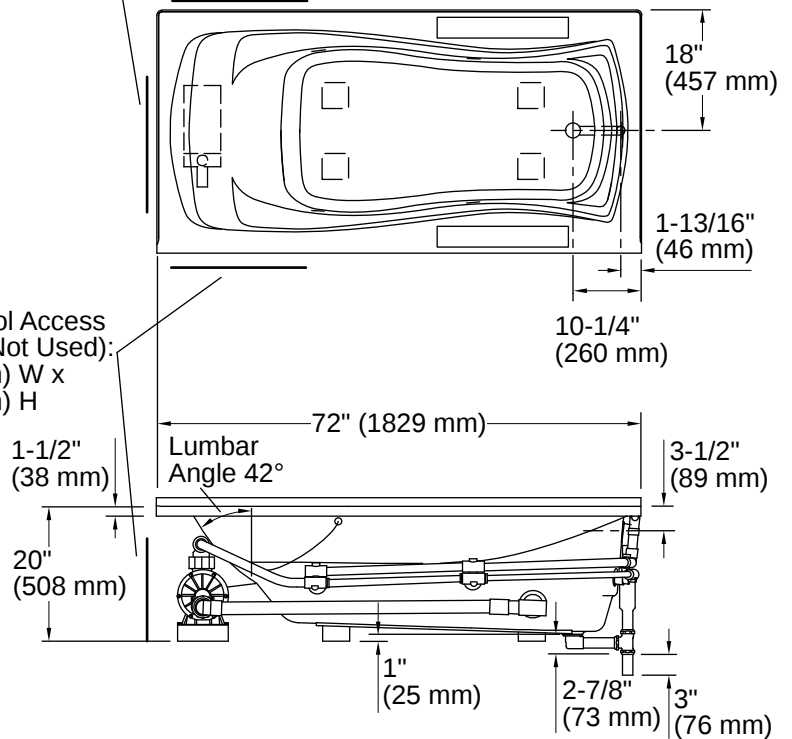


Integral Flange Detail



Pump/Control Access (If Apron Is Not Used):
20" (508 mm) W x 15" (381 mm) H

Pump/Control Access
(If Apron Is Not Used):
20" (508 mm) W x
15" (381 mm) H



Installation

- Alcove

Installation Notes

Install this product according to the installation instructions.

Measure your actual product for rough-in details.

The hot water supply should be 70% of the capacity of the bath or greater. Installations will vary.

If installing a rim-mount faucet, make sure there is no interference above or below the deck before drilling any holes.

