



# Components™ | K-123MT39-SANA

Touchless wall-mount lavatory faucet with Kinesis® sensor technology, Tube design, Cortex™-enabled, AC-powered, 0.5 gpm

## Features

- Kinesis® technology with concealed sensor allows for a clean aesthetic and provides extraordinarily accurate and reliable actuation in varying installation environments
- Below-counter valving reduces the faucet footprint and provides easier service
- 0.5 gpm (1.9 lpm) maximum flow rate with vandal-resistant outlet
- On-demand usage with 30-second max. continual run cycle to prevent vandalism and save water
- 18" (457 mm) stainless steel braided flexible supply hose for easy installation
- Box includes: Spout assembly, grid drain, control box assembly, supply hose, and standard mounting hardware
- Requires single or multiple AC adapter unit (sold separately)



## Sustainability



## Available Colors/Finishes

*Color tiles intended for reference only.*

CP Polished Chrome



1-800-4KOHLER (1-800-456-4537)  
Kohler Co. reserves the right to make revisions without notice to product specifications.  
For the most current specification sheet, go to [www.kohler.com](http://www.kohler.com) USA or [www.kohler.ca](http://www.kohler.ca) Canada.  
4-15-2026 6:53 - US-CA

THE BOLD LOOK  
OF **KOHLER**®

## Codes/Standards

ADA, OBC, CSA B651 compliant when installed to the specific requirements of these regulations.

ADA CSA B651 OBC

ASME A112.18.1/CSA B125.1  
NSF/ANSI/CAN 372  
NSF/ANSI/CAN 61  
DOE - Energy Policy Act 1992  
California Energy Commission (CEC)  
ADA  
ICC/ANSI A117.1  
CSA B651  
OBC

## Technical Information

All product dimensions are nominal.

### Spout

Spout Reach: 9-1/2" (241 mm)

## Material

- Brass spout

## Required Products/Accessories

- K-13480-A AC single supply, North American outlets
- or
- K-13481-A Multi-outlet power supply, North American outlets

## Technology

- Enables wireless monitoring and management when connected to KOHLER® commercial connected systems. Please contact [info@kohlercortex.com](mailto:info@kohlercortex.com) for more information

## Required Electrical Service

One circuit required, protected with Class A Ground-Fault Circuit-Interrupter (GFCI). Outside North America, this device may be known as a Residual Current Device (RCD).

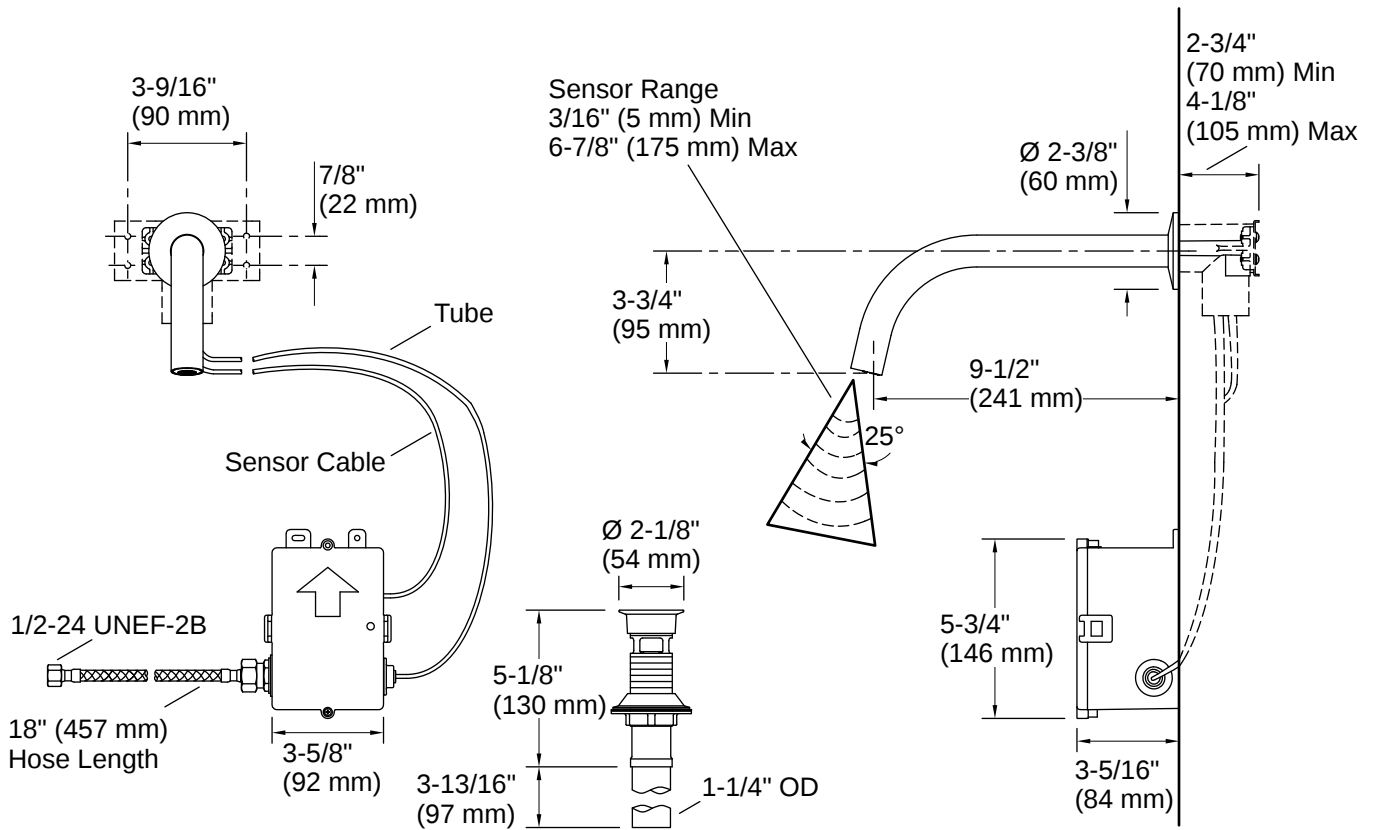
110/220 V, 50/60 Hz

## Warranty

See website for detailed warranty information.

KOHLER® One-Year Limited Warranty





## Installation

- Wall-mount

## Installation Notes

*Install this product according to the installation instructions.*

ADA, OBC, CSA B651 compliant when installed to the specific requirements of these regulations.

