



Mariposa® | K-1229-L

66" x 36" alcove bath, left drain

Features

- 66"L x 35-7/8"W x 20"H
- Extra length and width enhance bathing comfort
- Includes integral flange to simplify installation and prevent the possibility of water damage behind the wall
- Textured bottom surface



Available Colors/Finishes

Color tiles intended for reference only.

- 0 White



1-800-4KOHLER (1-800-456-4537)
Kohler Co. reserves the right to make revisions without notice to product specifications.
For the most current specification sheet, go to www.kohler.com USA or www.kohler.ca Canada.
4-14-2026 23:3 - US-CA

THE BOLD LOOK
OF **KOHLER**®

Codes/Standards

CSA B45.5/IAPMO Z124

ASTM E162

ASTM E662

Technical Information

All product dimensions are nominal.

Drain Location:	Left
Drain Hole Diameter:	2-1/4" (57 mm)
Minimum Flat for Door:	1-15/16" (49 mm)
Basin Area, Bottom:	48" x 24" (1219 mm x 610 mm)
Basin Area, Top:	59" x 30" (1499 mm x 762 mm)
Water Depth:	14" (356 mm)
Water Capacity:	67 gal (253.6 L)
Minimum Floor Load:	39 lbs/ft ²
Weight:	65 lbs (29.5 kg)

Material

- Acrylic
-

Recommended Products/Accessories

K-1491 Bath/whirlpool pillow, removable

K-1601 Bath/whirlpool footstop, removable

K-23726 Drain treatment

K-23732 Tub & shower cleaner

K-7213 Cable bath drain with PVC tubing

K-7214 Cable bath drain, less PVC tubing

K-7259 Brass toe tap bath drain

K-7265 Brass toe tap bath drain

Warranty

See website for detailed warranty information.

KOHLER® Plastic Baths and Shower Bases Lifetime Limited Warranty

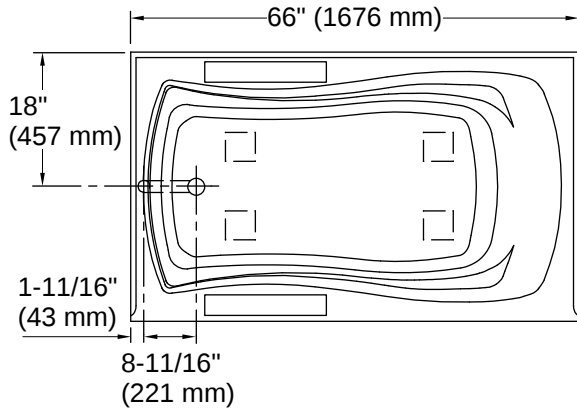


1-800-4KOHLER (1-800-456-4537)

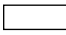
Kohler Co. reserves the right to make revisions without notice to product specifications.

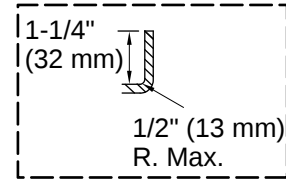
For the most current specification sheet, go to www.kohler.com USA or www.kohler.ca Canada.

4-14-2026 23:3 - US-CA

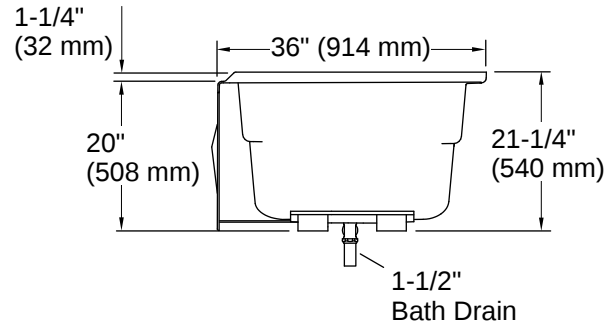
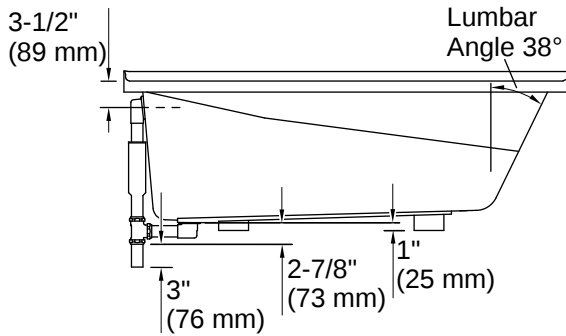


No change in measurements if connected with drain illustrated. (K-7161-AF)

 Recommended Faucet Location



Integral Flange Detail



Installation

- Alcove

Installation Notes

Install this product according to the installation instructions.

Measure your actual product for rough-in details.

The hot water supply should be 70% of the capacity of the bath or greater. Installations will vary.

If installing a rim-mount faucet, make sure there is no interference above or below the deck before drilling any holes.

