



# Mariposa® | K-1224-R

66" x 36" alcove whirlpool, right drain

## Features

- 66"L x 35-7/8"W x 20"H
- Removable apron for front pump access option
- Five adjustable ProFlex® whirlpool jets for maximum bather comfort
- Innovative technology enables this pump to provide a strong, steady level of hydromassage
- Includes integral flange to simplify installation and prevent the possibility of water damage behind the wall
- Textured bottom surface



## Available Colors/Finishes

*Color tiles intended for reference only.*

■ 0 White



1-800-4KOHLER (1-800-456-4537)  
Kohler Co. reserves the right to make revisions without notice to product specifications.  
For the most current specification sheet, go to [www.kohler.com](http://www.kohler.com) USA or [www.kohler.ca](http://www.kohler.ca) Canada.  
4-14-2026 23:3 - US-CA

THE BOLD LOOK  
OF **KOHLER**®

## Codes/Standards

ASME A112.19.7/CSA B45.10  
CSA B45.5/IAPMO Z124  
ASTM E162  
ASTM E662  
UL 1795  
UL Listed

## Technical Information

*All product dimensions are nominal.*

Drain Location:	Right
Drain Hole Diameter:	2-1/4" (57 mm)
Basin Area, Bottom:	48" x 24" (1219 mm x 610 mm)
Basin Area, Top:	59" x 30" (1499 mm x 762 mm)
Water Depth:	14" (356 mm)
Water Capacity:	67 gal (253.6 L)
Minimum Floor Load:	48 lbs/ft <sup>2</sup>
Weight:	110 lbs (49.9 kg)

## Material

- Acrylic

## Recommended Products/Accessories

K-1601 Bath/whirlpool footstop, removable  
K-23726 Drain treatment  
K-23732 Tub & shower cleaner  
K-7213 Cable bath drain with PVC tubing  
K-7214 Cable bath drain, less PVC tubing

## Required Electrical Service

One dedicated circuit required, protected with Class A Ground-Fault Circuit-Interrupter (GFCI). Outside North America, this device may be known as a Residual Current Device (RCD).

Pump: 120 V, 15 A, 60 Hz

## Electrical Component Ratings

Pump: 120 V, 7.5 A, 60 Hz

Number of Speeds: Single

## Warranty

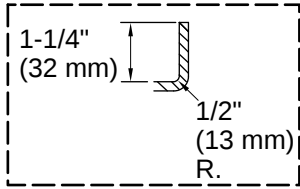
*See website for detailed warranty information.*

KOHLER® Plastic Baths and Shower Bases Lifetime Limited  
Warranty|KOHLER® Hydrotherapy Components Five-Year Limited  
Warranty



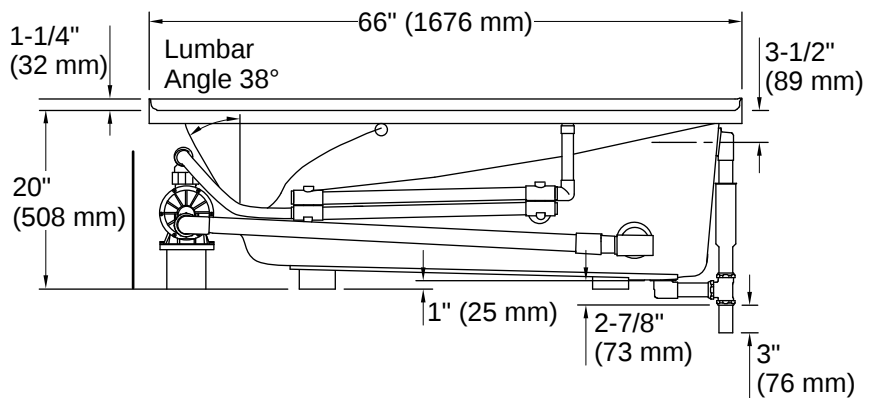
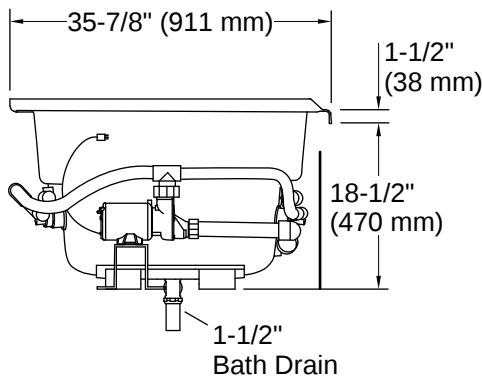
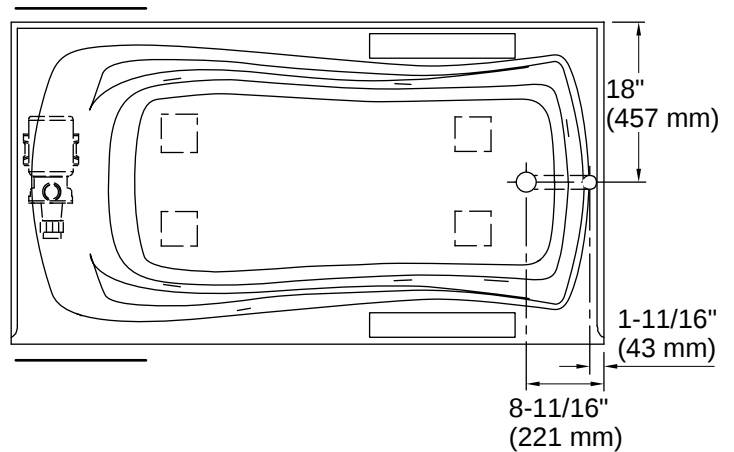
No change in measurements if connected with drain illustrated. (K-7161-AF)

 Recommended Faucet Location



Integral Flange Detail

Pump/Control Access  
(If Apron Is Not Used)  
20" (508 mm) W x 15" (381 mm) H



## Installation

- Alcove

## Installation Notes

*Install this product according to the installation instructions.*

Measure your actual product for rough-in details.

The hot water supply should be 70% of the capacity of the bath or greater. Installations will vary.

If installing a rim-mount faucet, make sure there is no interference above or below the deck before drilling any holes.

