



Mariposa® | K-1224-HB

66" x 35-7/8" drop-in heated whirlpool bath

Features

- Single-speed whirlpool offers performance and value, with 5 fully adjustable jets
- Hydromassage flow and direction can be controlled at each jet
- Built-in heater
- Hourglass shape adds style and elegance to your bathroom
- Textured bottom surface
- Multiple pump location options give you more choices for installation and access



Available Colors/Finishes

Color tiles intended for reference only.

■ 0 White



1-800-4KOHLER (1-800-456-4537)
Kohler Co. reserves the right to make revisions without notice to product specifications.
For the most current specification sheet, go to www.kohler.com USA or www.kohler.ca Canada.
4-14-2026 23:3 - US-CA

THE BOLD LOOK
OF **KOHLER**®

Codes/Standards

ASME A112.19.7/CSA B45.10
CSA B45.5/IAPMO Z124
ASTM E162
ASTM E662
UL 1795
UL Listed

Technical Information

All product dimensions are nominal.

Drain Location:	Reversible
Drain Hole Diameter:	2-1/4" (57 mm)
Minimum Flat for Door:	1-3/4" (45 mm)
Basin Area, Bottom:	48" x 24" (1219 mm x 610 mm)
Basin Area, Top:	59" x 30" (1499 mm x 762 mm)
Water Depth:	14" (356 mm)
Water Capacity:	67 gal (253.6 L)
Minimum Floor Load:	43 lbs/ft ²
Weight:	115 lbs (52.2 kg)
Cutout:	Drop-in, 64" x 34" (1626 mm x 864 mm)

Material

- Acrylic

Recommended Products/Accessories

- K-9695 Whirlpool trim kit with five jets
- K-1601 Bath/whirlpool footstep, removable
- K-23726 Drain treatment
- K-23732 Tub & shower cleaner
- K-7213 Cable bath drain with PVC tubing
- K-7214 Cable bath drain, less PVC tubing
- K-7265 Brass toe tap bath drain

Required Electrical Service

Two dedicated circuits required, protected with Class A Ground-Fault Circuit-Interrupter (GFCI). Outside North America, this device may be known as a Residual Current Device (RCD).

Pump:	120 V, 15 A, 60 Hz
Heater:	120 V, 15 A, 60 Hz

Electrical Component Ratings

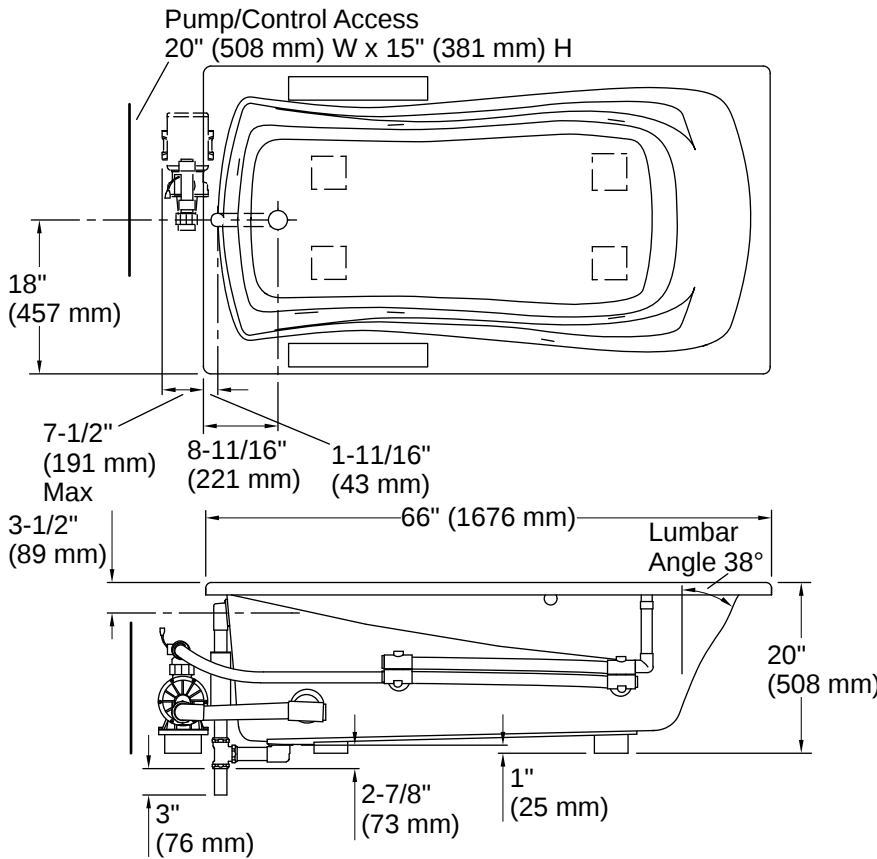
Pump:	120 V, 7.5 A, 60 Hz
Number of Speeds:	Single
Heater:	120 V, 12.5 A, 60 Hz, 1500 W

Warranty

See website for detailed warranty information.

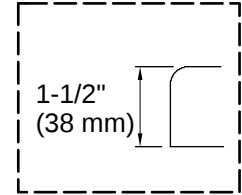
KOHLER® Plastic Baths and Shower Bases Lifetime Limited Warranty|KOHLER® Hydrotherapy Components Five-Year Limited Warranty



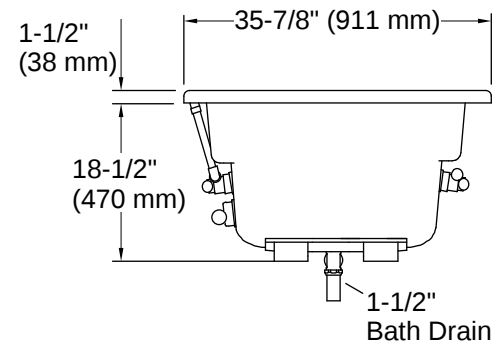


No change in measurements if connected with drain illustrated. (K-7161-AF)

Recommended Faucet Location



Drop-in Rim Detail



Installation

- Drop-in

Installation Notes

Install this product according to the installation instructions.

Measure your actual product for rough-in details.

The hot water supply should be 70% of the capacity of the bath or greater. Installations will vary.

Pump must be relocated to custom position at the time of installation.

Provide adequate clearance.

If installing a rim-mount faucet, make sure there is no interference above or below the deck before drilling any holes.

