



# Underscore® | K-1174-GHW

72" x 42" drop-in Heated BubbleMassage™ air bath with Bask® heated surface

## Features

- 122 airjets release thousands of heated bubbles that surround, support, and massage the body
- Variable-speed blower lets you adjust massage intensity to 18 levels
- Bask® heated surface creates spa-like relaxation with soothing warmth on your back, shoulders, and neck
- Built-in heater
- Automatic and manual purge cycles remove residual water from air channels after use
- 60-minute automatic shutoff timer
- Slotted overflow allows for deep soaking
- Spacious design accommodates up to two bathers
- Integral lumbar support
- Keypad control
- Textured bottom surface
- Bask® heated surface creates spa-like relaxation with soothing warmth on your back, shoulders, and neck



## Available Colors/Finishes

*Color tiles intended for reference only.*

- 0 White
- 96 Biscuit
- 7 Black Black



## Codes/Standards

ASME A112.19.7/CSA B45.10  
 CSA B45.5/IAPMO Z124  
 ASTM E162  
 ASTM E662  
 UL 1795  
 CSA C22.2 No. 218.2  
 cUL Listed  
 UL Listed

## Technical Information

*All product dimensions are nominal.*

Drain Location:	Center
Drain Hole Diameter:	2-3/16" (56 mm)
Minimum Flat for Door:	2-7/16" (61 mm)
Basin Area, Bottom:	45-3/4" x 32" (1162 mm x 813 mm)
Basin Area, Top:	66" x 36" (1676 mm x 914 mm)
Water Depth:	19" (483 mm)
Water Capacity:	139 gal (526.2 L)
Minimum Floor Load:	42 lbs/ft <sup>2</sup>
Weight:	110 lbs (49.9 kg)
Cutout:	Drop-in, 70-1/2" x 40-1/2" (1791 mm x 1029 mm)

## Material

- Acrylic

## Recommended Products/Accessories

- K-1491 Bath/whirlpool pillow, removable
- K-1601 Bath/whirlpool footstop, removable
- K-1177 Tiling-in bead, 144" length
- K-706000-D3 Sliding bath door, 62" H x 56-5/8 - 59-5/8" W, with 1/4" thick Frosted glass
- K-706000-L 62" H sliding bath door with 1/4"-thick glass
- K-706003-L Sliding bath door, 62" H x 56-5/8 - 59-5/8" W, with 3/8" thick Crystal Clear glass
- K-706004-D3 Sliding bath door, 62" H x 56-5/8 - 59-5/8" W, with 1/4" thick Frosted glass
- K-706004-L Sliding bath door, 62" H x 56-5/8 - 59-5/8" W, with 1/4" thick Crystal Clear glass
- K-706007-L Sliding bath door, 62" H x 56-5/8 - 59-5/8" W, with 3/8" thick Crystal Clear glass
- K-592 Undermount kit for select 72" Underscore bath models

## Required Products/Accessories

- K-7271 Slotted overflow brass bath drain
- or
- K-7272 Slotted overflow bath drain

## Technology

- Heated BubbleMassage™ technology warms and humidifies air before it enters the bath



---

## Required Electrical Service

Two dedicated circuits required, protected with Class A Ground-Fault Circuit-Interrupter (GFCI). Outside North America, this device may be known as a Residual Current Device (RCD).

Blower, Heated Surface: 120 V, 15 A, 60 Hz

Air bath: 120 V, 15 A, 60 Hz

## Electrical Component Ratings

Blower: 120 V, 10 A

Heated Surface: 120 V, 0.5 A, 60 Hz, 65 W

Air bath: 120 V, 5 A, 60 Hz

---

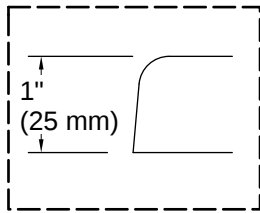
## Warranty

*See website for detailed warranty information.*

KOHLER® Plastic Baths and Shower Bases Lifetime Limited  
Warranty|KOHLER® Hydrotherapy Components Five-Year Limited  
Warranty

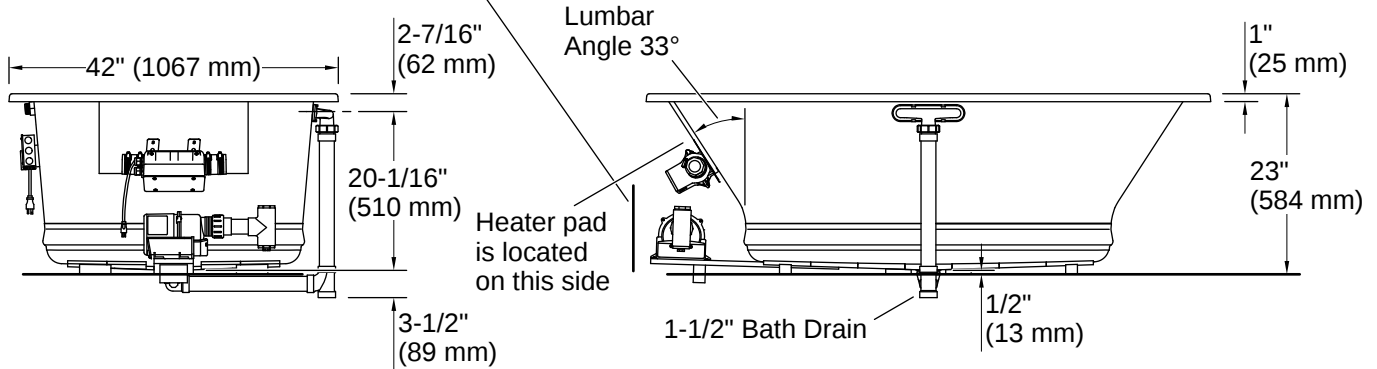
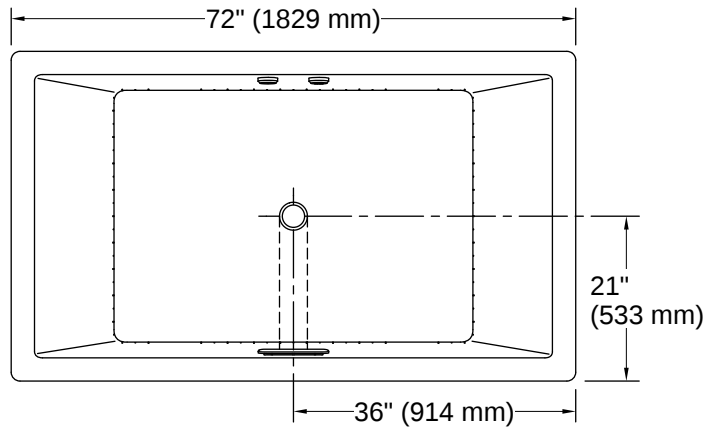


No change in measurements if connected with drain illustrated. (K-7272)



**Drop-in Rim Detail**

Blower Motor Access  
30" (762 mm) W x 15" (381 mm) H Min



## Installation

- Drop-in or undermount
- Center drain
- Requires Clearflo slotted overflow bath drain (sold separately)

## Installation Notes

*Install this product according to the installation instructions.*

Measure your actual product for rough-in details.

The hot water supply should be 70% of the capacity of the bath or greater. Installations will vary.

