



# Sunward® | K-1165-S1

72" x 42" drop-in bath

## Features

- Oval basin creates a spacious bathing experience
- Integral lumbar support and armrests offer extra comfort while bathing
- Textured bottom surface



## Available Colors/Finishes

*Color tiles intended for reference only.*

- 0 White



1-800-4KOHLER (1-800-456-4537)  
Kohler Co. reserves the right to make revisions without notice to product specifications.  
For the most current specification sheet, go to [www.kohler.com](http://www.kohler.com) USA or [www.kohler.ca](http://www.kohler.ca) Canada.  
4-15-2026 5:9 - US-CA

THE BOLD LOOK  
OF **KOHLER**®

## Codes/Standards

CSA B45.5/IAPMO Z124

## Technical Information

*All product dimensions are nominal.*

Drain Location:	Reversible
Drain Hole Diameter:	2-1/4" (57 mm)
Basin Area, Bottom:	55-1/4" x 23-1/2" (1403 mm x 597 mm)
Basin Area, Top:	64-1/2" x 32" (1638 mm x 813 mm)
Water Depth:	15" (381 mm)
Water Capacity:	75 gal (283.9 L)
Minimum Floor Load:	35 lbs/ft <sup>2</sup>
Weight:	75 lbs (34 kg)

## Material

- Acrylic

## Recommended Products/Accessories

K-1491 Bath/whirlpool pillow, removable

K-1601 Bath/whirlpool footstop, removable

K-23726 Drain treatment

K-23732 Tub & shower cleaner

K-577 Undermount kit for select 72" Sunward bath and whirlpool bath models

K-11677 Adjustable drain, 20-gauge brass, for 18-1/2" to 20-1/2" baths

## Warranty

*See website for detailed warranty information.*

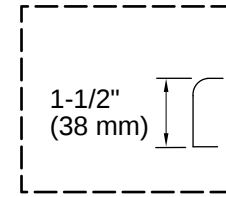
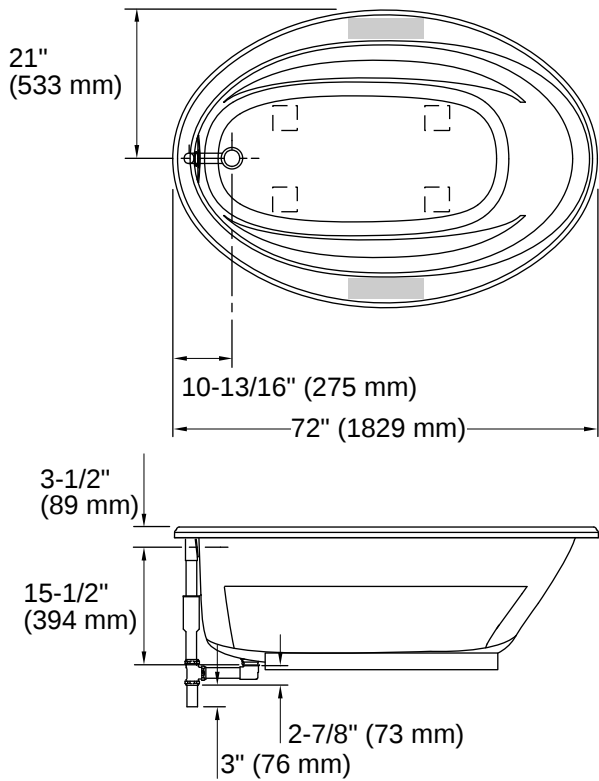
KOHLER® Plastic Baths and Shower Bases Lifetime Limited Warranty



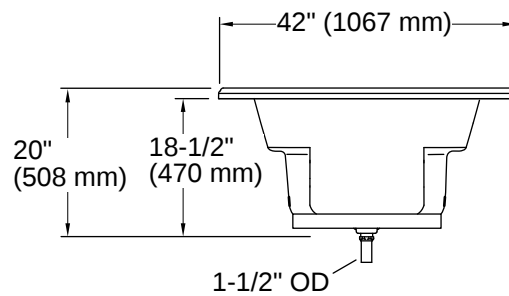
1-800-4KOHLER (1-800-456-4537)  
 Kohler Co. reserves the right to make revisions without notice to product specifications.  
 For the most current specification sheet, go to [www.kohler.com](http://www.kohler.com) USA or [www.kohler.ca](http://www.kohler.ca) Canada.  
 4-15-2026 5:9 - US-CA

No change in measurements if connected with drain illustrated.(K-11677)

Recommended faucet area



Drop-In Rim Detail



## Installation

- Reversible drain
- Drop-in or undermount
- Smooth backside for easy handling and mounting of drain and overflow

## Installation Notes

*Install this product according to the installation instructions.*

Measure your actual product for rough-in details.

The hot water supply should be 70% of the capacity of the bath or greater. Installations will vary.

No change in measurements if connected with drain illustrated.

