



# Sunward® | K-1164-GH

72" x 42" drop-in Heated BubbleMassage™ air bath

## Features

- 120 airjets release thousands of heated bubbles that surround and support the body in a warm massage
- Variable-speed blower lets you adjust massage intensity to 18 levels
- Built-in heater
- Automatic and manual purge cycles remove residual water from air channels after use
- 60-minute automatic shutoff timer
- Oval basin creates a spacious bathing experience
- Spacious design accommodates up to two bathers
- Integral lumbar support and armrests offer extra comfort while bathing
- Keypad control
- Textured bottom surface



## Available Colors/Finishes

*Color tiles intended for reference only.*

- 0 White
- 96 Biscuit



1-800-4KOHLER (1-800-456-4537)  
Kohler Co. reserves the right to make revisions without notice to product specifications.  
For the most current specification sheet, go to [www.kohler.com](http://www.kohler.com) USA or [www.kohler.ca](http://www.kohler.ca) Canada.  
4-15-2026 5:43 - US-CA

THE BOLD LOOK  
OF **KOHLER**®

## Codes/Standards

ASME A112.19.7/CSA B45.10  
CSA B45.5/IAPMO Z124  
ASTM E162  
ASTM E662  
UL 1795  
CSA C22.2 No. 218.2  
cUL Listed  
UL Listed

## Technical Information

*All product dimensions are nominal.*

Drain Location:	Reversible
Drain Hole Diameter:	2-1/4" (57 mm)
Basin Area, Bottom:	55-1/4" x 23-1/2" (1403 mm x 597 mm)
Basin Area, Top:	64-1/2" x 32" (1638 mm x 813 mm)
Water Depth:	15" (381 mm)
Water Capacity:	75 gal (283.9 L)
Minimum Floor Load:	37 lbs/ft <sup>2</sup>
Weight:	170.5 lbs (77.3 kg)

## Material

- Acrylic

## Recommended Products/Accessories

- K-1491 Bath/whirlpool pillow, removable
- K-1601 Bath/whirlpool footstop, removable
- K-1446 Remote installation kit for BubbleMassage™ air baths
- K-11677 Adjustable drain, 20-gauge brass, for 18-1/2" to 20-1/2" baths
- K-577 Undermount kit for select 72" Sunward bath and whirlpool bath models
- K-7213 Cable bath drain with PVC tubing
- K-7214 Cable bath drain, less PVC tubing
- K-7259 Brass toe tap bath drain

## Technology

- Heated BubbleMassage™ technology warms and humidifies air before it enters the bath

## Required Electrical Service

Two dedicated circuits required, protected with Class A Ground-Fault Circuit-Interrupter (GFCI). Outside North America, this device may be known as a Residual Current Device (RCD).

Blower:	120 V, 15 A, 60 Hz
Air bath:	120 V, 15 A, 60 Hz

## Electrical Component Ratings

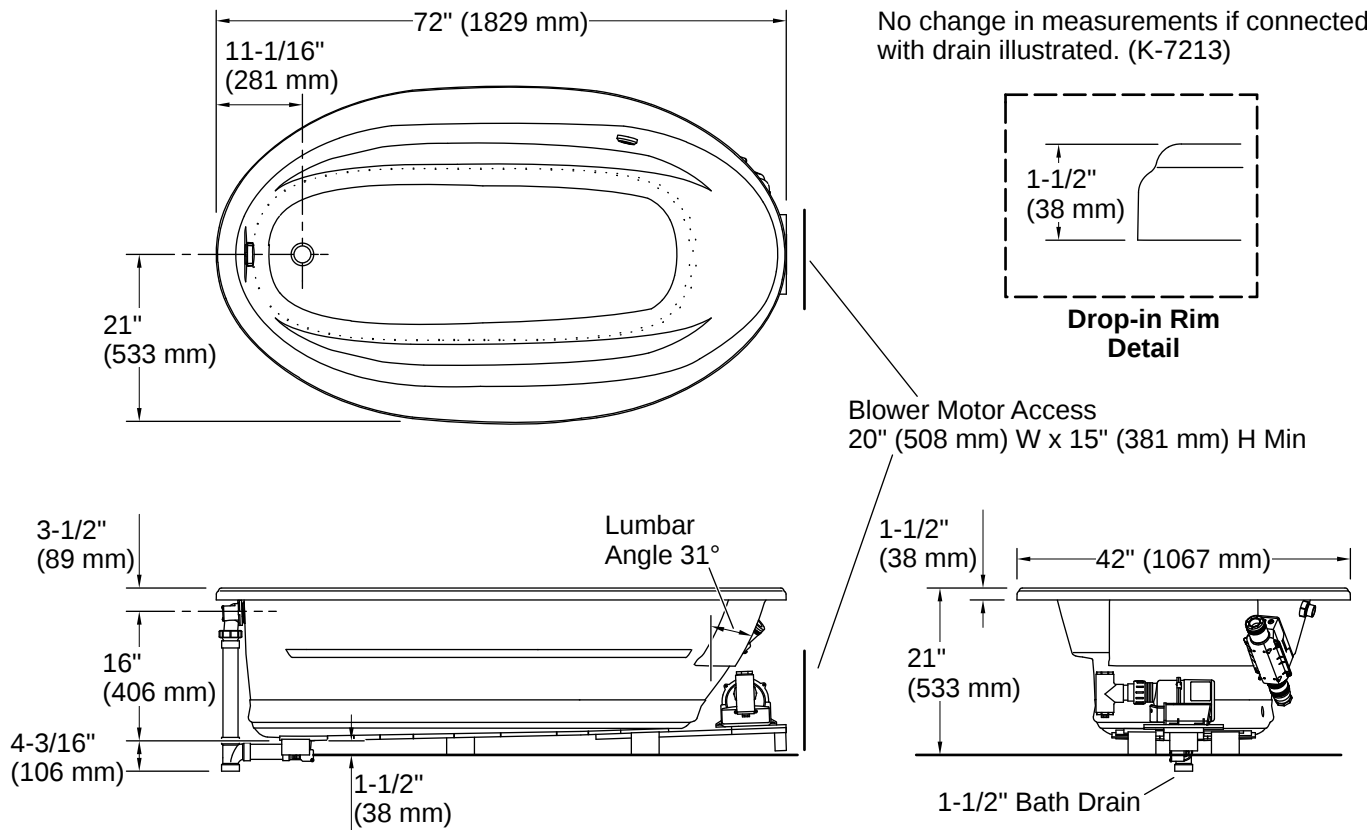
Blower:	120 V, 10 A
Air bath:	120 V, 5 A, 60 Hz

## Warranty

*See website for detailed warranty information.*

KOHLER® Plastic Baths and Shower Bases Lifetime Limited Warranty|KOHLER® Hydrotherapy Components Five-Year Limited Warranty





## Installation

- Drop-in or undermount
- Reversible drain

## Installation Notes

*Install this product according to the installation instructions.*

Measure your actual product for rough-in details.

The hot water supply should be 70% of the capacity of the bath or greater. Installations will vary.

