



# Sunward® | K-1163-S1

60" x 42" drop-in bath

## Features

- Oval basin creates a spacious bathing experience
- Integral lumbar support and armrests offer extra comfort while bathing
- Textured bottom surface



## Available Colors/Finishes

*Color tiles intended for reference only.*

- 0 White



1-800-4KOHLER (1-800-456-4537)  
Kohler Co. reserves the right to make revisions without notice to product specifications.  
For the most current specification sheet, go to [www.kohler.com](http://www.kohler.com) USA or [www.kohler.ca](http://www.kohler.ca) Canada.  
4-15-2026 4:48 - US-CA

THE BOLD LOOK  
OF **KOHLER**®

---

## Codes/Standards

CSA B45.5/IAPMO Z124

---

## Technical Information

*All product dimensions are nominal.*

Drain Location:	Reversible
Drain Hole Diameter:	2-1/4" (57 mm)
Basin Area, Bottom:	43" x 21-9/16" (1092 mm x 548 mm)
Basin Area, Top:	53-1/2" x 32-1/8" (1359 mm x 816 mm)
Water Depth:	15" (381 mm)
Water Capacity:	57 gal (215.8 L)
Minimum Floor Load:	33 lbs/ft <sup>2</sup>
Weight:	75 lbs (34 kg)

---

## Material

- Acrylic
- 

## Recommended Products/Accessories

K-576 Undermount kit for select 60" Sunward bath and whirlpool bath models

K-1491 Bath/whirlpool pillow, removable

K-1601 Bath/whirlpool footstop, removable

K-23726 Drain treatment

K-23732 Tub & shower cleaner

K-11677 Adjustable drain, 20-gauge brass, for 18-1/2" to 20-1/2" baths

---

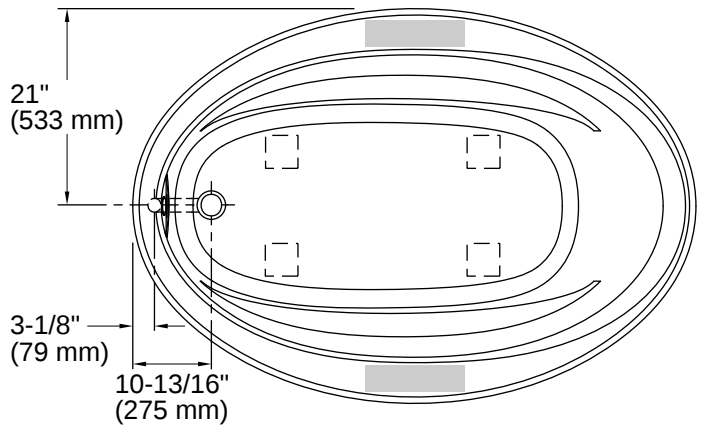
## Warranty

*See website for detailed warranty information.*

KOHLER® Plastic Baths and Shower Bases Lifetime Limited Warranty

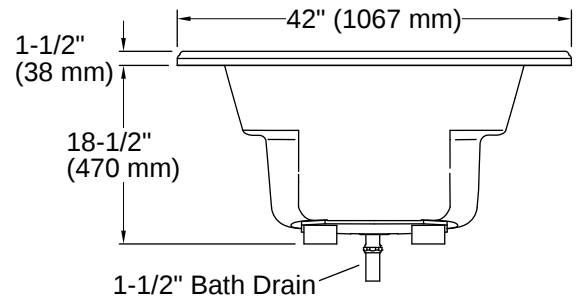
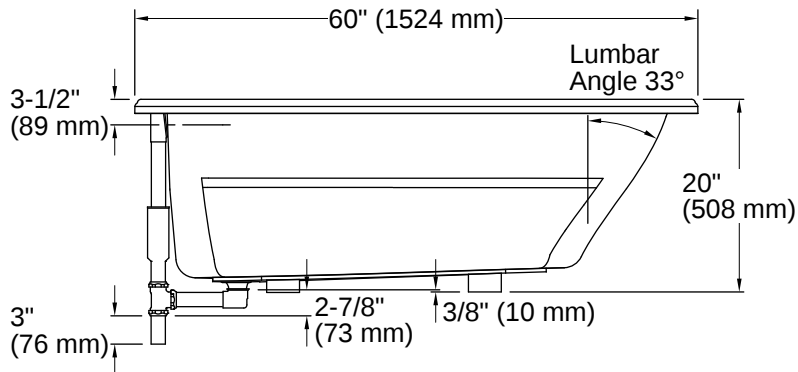
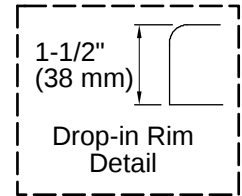


1-800-4KOHLER (1-800-456-4537)  
Kohler Co. reserves the right to make revisions without notice to product specifications.  
For the most current specification sheet, go to [www.kohler.com](http://www.kohler.com) USA or [www.kohler.ca](http://www.kohler.ca) Canada.  
4-15-2026 4:48 - US-CA



No change in measurements if connected with drain illustrated. (K-11677)

Recommended faucet area



## Installation

- Reversible drain
- Drop-in or undermount

## Installation Notes

Install this product according to the installation instructions.

Measure your actual product for rough-in details.

The hot water supply should be 70% of the capacity of the bath or greater. Installations will vary.

Kit is required for under-mount installations (sold separately).

