



Tercet® | K-1161

60" x 60" corner bath

Features

- Spacious design accommodates up to two bathers
- Integral lumbar support and armrests offer extra comfort while bathing



Available Colors/Finishes

Color tiles intended for reference only.

- 0 White



Codes/Standards

CSA B45.5/IAPMO Z124

Technical Information

All product dimensions are nominal.

Drain Location:	Center
Drain Hole Diameter:	2-1/4" (57 mm)
Basin Area, Bottom:	52" x 38-3/4" (1321 mm x 984 mm)
Basin Area, Top:	61" x 46-1/4" (1549 mm x 1175 mm)
Water Depth:	15" (381 mm)
Water Capacity:	96 gal (363.4 L)
Minimum Floor Load:	38 lbs/ft ²
Weight:	91 lbs (41.3 kg)
Cutout:	Drop-in, 57-1/2" x 27-1/2" (1461 mm x 699 mm)

Material

- Acrylic

Recommended Products/Accessories

- K-1491 Bath/whirlpool pillow, removable
- K-1601 Bath/whirlpool footstop, removable
- K-23726 Drain treatment
- K-23732 Tub & shower cleaner
- K-11677 Adjustable drain, 20-gauge brass, for 18-1/2" to 20-1/2" baths
- K-7213 Cable bath drain with PVC tubing
- K-7214 Cable bath drain, less PVC tubing
- K-7259 Brass toe tap bath drain

Required Products/Accessories

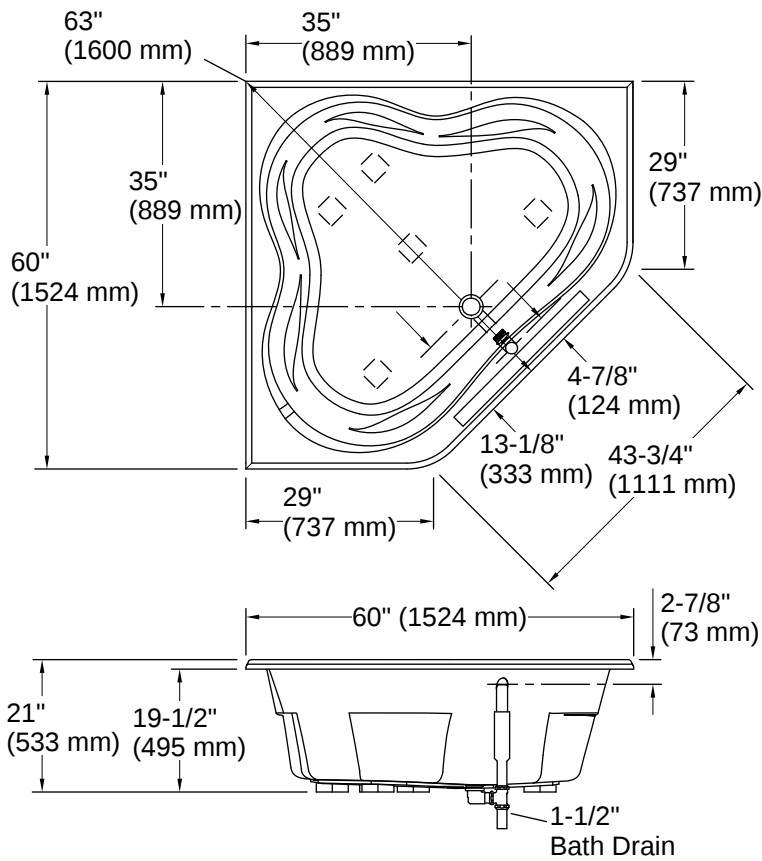
- K-T37392 Rotary-turn bath drain trim
 - K-T37391 Rotary-turn bath drain trim
- or
- K-78439 45" cable bath drain
 - K-37385 Rough-in cable drain, PVC, 45" cable, less horizontal tube

Warranty

See website for detailed warranty information.

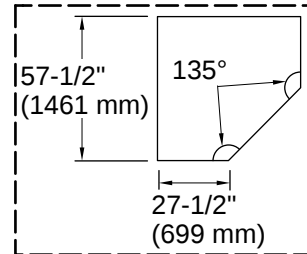
KOHLER® Plastic Baths and Shower Bases Lifetime Limited Warranty



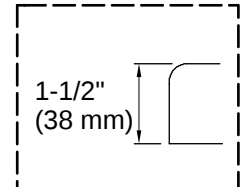


No change in measurements if connected with drain illustrated. (K-11677)

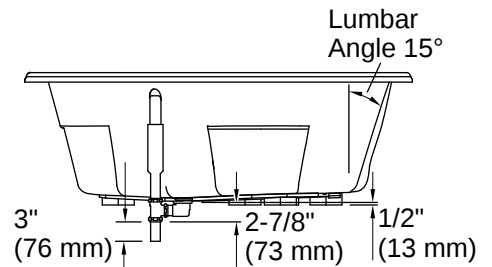
☐ Recommended Faucet Location



Drop-In Rim Style Cut-Out Detail



Drop-in Rim Detail



Installation

- Drop-in or corner alcove

Installation Notes

Install this product according to the installation instructions.

Measure your actual product for rough-in details.

The hot water supply should be 70% of the capacity of the bath or greater. Installations will vary.

If installing a rim-mount faucet, make sure there is no interference above or below the deck before drilling any holes.

