



Tercet® | K-1161-F

60" x 60" corner bath

Features

- Spacious design accommodates up to two bathers
- Integral lumbar support and armrests offer extra comfort while bathing
- Integral flange helps prevent water from seeping behind wall and simplifies alcove installation



Available Colors/Finishes

Color tiles intended for reference only.

- 0 White



1-800-4KOHLER (1-800-456-4537)
Kohler Co. reserves the right to make revisions without notice to product specifications.
For the most current specification sheet, go to www.kohler.com USA or www.kohler.ca Canada.
4-15-2026 3:25 - US-CA

THE BOLD LOOK
OF **KOHLER**®

Codes/Standards

CSA B45.5/IAPMO Z124
ASTM E162
ASTM E662

Technical Information

All product dimensions are nominal.

Drain Location:	Center
Drain Hole Diameter:	2-1/4" (57 mm)
Basin Area, Bottom:	52" x 38-3/4" (1321 mm x 984 mm)
Basin Area, Top:	61" x 46-1/4" (1549 mm x 1175 mm)
Water Depth:	15" (381 mm)
Water Capacity:	96 gal (363.4 L)
Minimum Floor Load:	38 lbs/ft ²
Weight:	91 lbs (41.3 kg)

Material

- Acrylic

Recommended Products/Accessories

- K-1491 Bath/whirlpool pillow, removable
- K-1601 Bath/whirlpool footstop, removable
- K-23726 Drain treatment
- K-23732 Tub & shower cleaner
- K-11677 Adjustable drain, 20-gauge brass, for 18-1/2" to 20-1/2" baths
- K-7213 Cable bath drain with PVC tubing
- K-7214 Cable bath drain, less PVC tubing
- K-7259 Brass toe tap bath drain

Required Products/Accessories

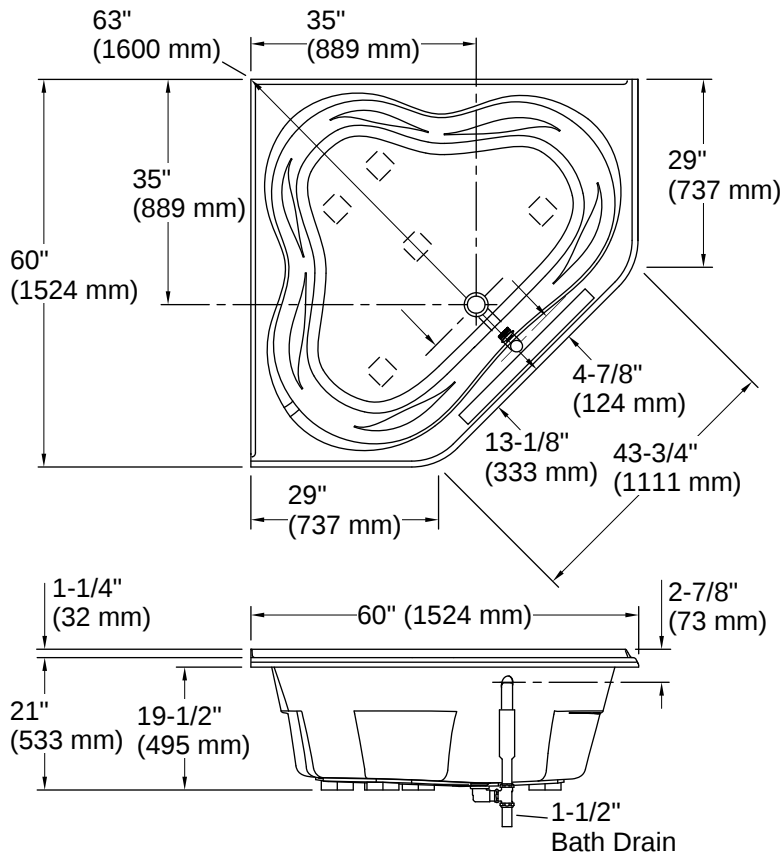
- K-T37392 Rotary-turn bath drain trim
 - K-T37391 Rotary-turn bath drain trim
- or
- K-78439 45" cable bath drain
 - K-37385 Rough-in cable drain, PVC, 45" cable, less horizontal tube

Warranty

See website for detailed warranty information.

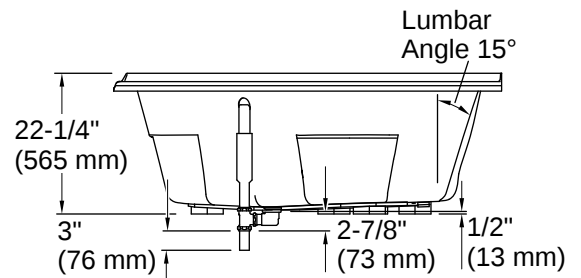
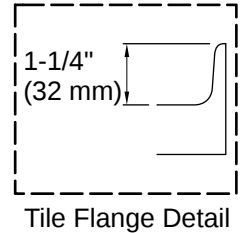
KOHLER® Plastic Baths and Shower Bases Lifetime Limited Warranty





No change in measurements if connected with drain illustrated. (K-11677)

 Recommended Faucet Location



Installation

- Center drain
- Corner

Installation Notes

Install this product according to the installation instructions.

Measure your actual product for rough-in details.

The hot water supply should be 70% of the capacity of the bath or greater. Installations will vary.

If installing a rim-mount faucet, make sure there is no interference above or below the deck before drilling any holes.

