



Underscore® | K-1137

72" x 42" drop-in bath

Features

- Spacious design accommodates up to two bathers
- Integral lumbar support
- Slotted overflow allows for deep soaking



Available Colors/Finishes

Color tiles intended for reference only.

- 0 White
- 96 Biscuit
- 6 Skylight
- 7 Black Black



1-800-4KOHLER (1-800-456-4537)
Kohler Co. reserves the right to make revisions without notice to product specifications.
For the most current specification sheet, go to www.kohler.com USA or www.kohler.ca Canada.
4-15-2026 2:33 - US-CA

THE BOLD LOOK
OF **KOHLER**

Codes/Standards

CSA B45.5/IAPMO Z124
ASTM E162
ASTM E662

Warranty

See website for detailed warranty information.

KOHLER® Plastic Baths and Shower Bases Lifetime Limited Warranty

Technical Information

All product dimensions are nominal.

Drain Location:	Center
Drain Hole Diameter:	2-1/4" (57 mm)
Minimum Flat for Door:	2-7/16" (61 mm)
Basin Area, Bottom:	45-3/4" x 32" (1162 mm x 813 mm)
Basin Area, Top:	66" x 36" (1676 mm x 914 mm)
Water Depth:	19" (483 mm)
Water Capacity:	139 gal (526.2 L)
Minimum Floor Load:	60 lbs/ft ²
Weight:	85 lbs (38.6 kg)
Cutout:	Drop-in, 70-1/2" x 40-1/2" (1791 mm x 1029 mm)

Material

- Acrylic

Recommended Products/Accessories

K-592 Undermount kit for select 72" Underscore bath models

K-1601 Bath/whirlpool footstop, removable

K-23726 Drain treatment

K-23732 Tub & shower cleaner

Required Products/Accessories

- K-7271 Slotted overflow brass bath drain

or

- K-7272 Slotted overflow bath drain

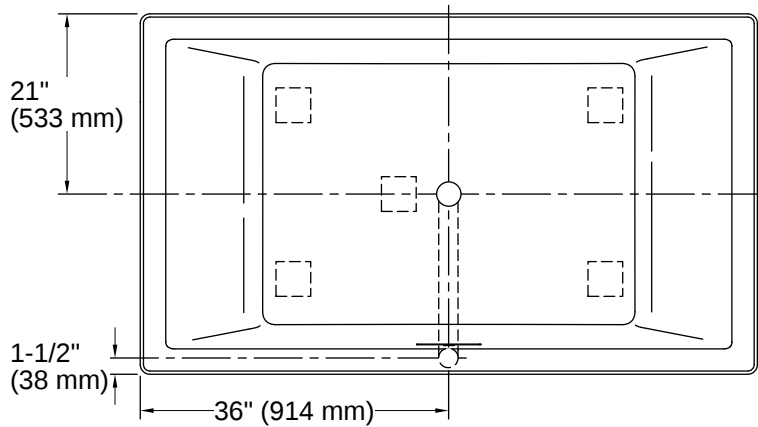


1-800-4KOHLER (1-800-456-4537)

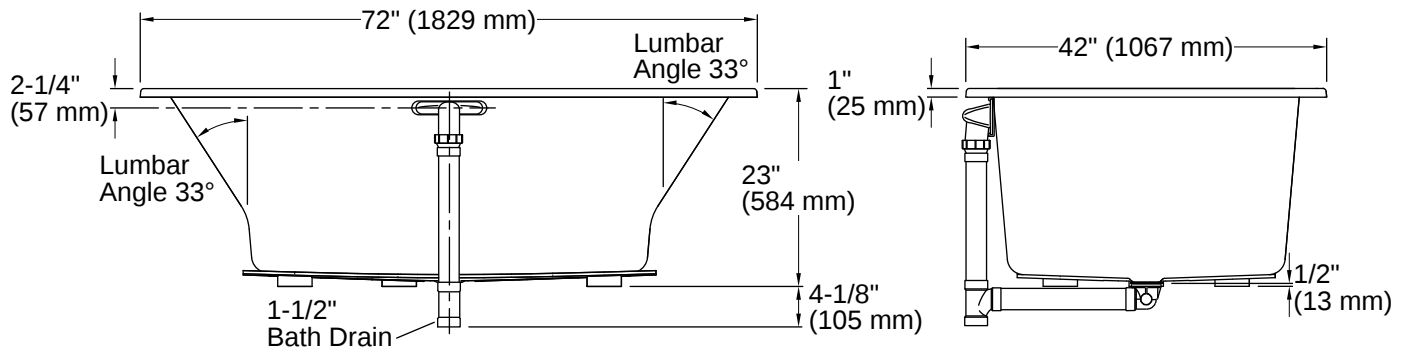
Kohler Co. reserves the right to make revisions without notice to product specifications.

For the most current specification sheet, go to www.kohler.com USA or www.kohler.ca Canada.

4-15-2026 2:33 - US-CA



No change in measurements if connected with drain illustrated. (K-7272)



Installation

- Center drain
- Drop-in or undermount
- Requires Clearflo slotted overflow bath drain (sold separately)

Installation Notes

Install this product according to the installation instructions.

Measure your actual product for rough-in details.

The hot water supply should be 70% of the capacity of the bath or greater. Installations will vary.

Kit is required for under-mount installations (sold separately).

