



Underscore[®] | K-1136-W1

66" x 36" drop-in bath with Bask[®] heated surface

Features

- Bask[®] heated surface creates spa-like relaxation with soothing warmth on your back, shoulders, and neck
- Customize the heat with three adjustable settings
- Integral lumbar support
- Slotted overflow allows for deep soaking



Available Colors/Finishes

Color tiles intended for reference only.

- 0 White
- 96 Biscuit
- 7 Black Black



1-800-4KOHLER (1-800-456-4537)
Kohler Co. reserves the right to make revisions without notice to product specifications.
For the most current specification sheet, go to www.kohler.com USA or www.kohler.ca Canada.
4-15-2026 5:3 - US-CA

THE BOLD LOOK
OF **KOHLER**[®]

Codes/Standards

CSA B45.5/IAPMO Z124
ASTM E162
ASTM E662
UL 1795
CSA C22.2 No. 218.2
cUL Listed
UL Listed

Technical Information

All product dimensions are nominal.

Drain Location:	Reversible
Drain Hole Diameter:	2-1/4" (57 mm)
Minimum Flat for Door:	2-7/16" (61 mm)
Basin Area, Bottom:	44-1/2" x 26-1/2" (1130 mm x 673 mm)
Basin Area, Top:	60-1/4" x 30-1/4" (1530 mm x 768 mm)
Water Depth:	17-3/4" (451 mm)
Water Capacity:	102 gal (386.1 L)
Minimum Floor Load:	58 lbs/ft ²
Weight:	86 lbs (39 kg)
Cutout:	Drop-in, 65" x 35" (1651 mm x 889 mm)

Material

- Acrylic

Recommended Products/Accessories

K-591 Undermount kit for select 66" Underscore bath models
K-1177 Tiling-in bead, 144" length
K-23726 Drain treatment
K-23732 Tub & shower cleaner

Required Products/Accessories

- K-7271 Slotted overflow brass bath drain
- or
- K-7272 Slotted overflow bath drain

Required Electrical Service

One circuit required, protected with Class A Ground-Fault Circuit-Interrupter (GFCI). Outside North America, this device may be known as a Residual Current Device (RCD).

Heated Surface: 120 V, 15 A, 60 Hz

Electrical Component Ratings

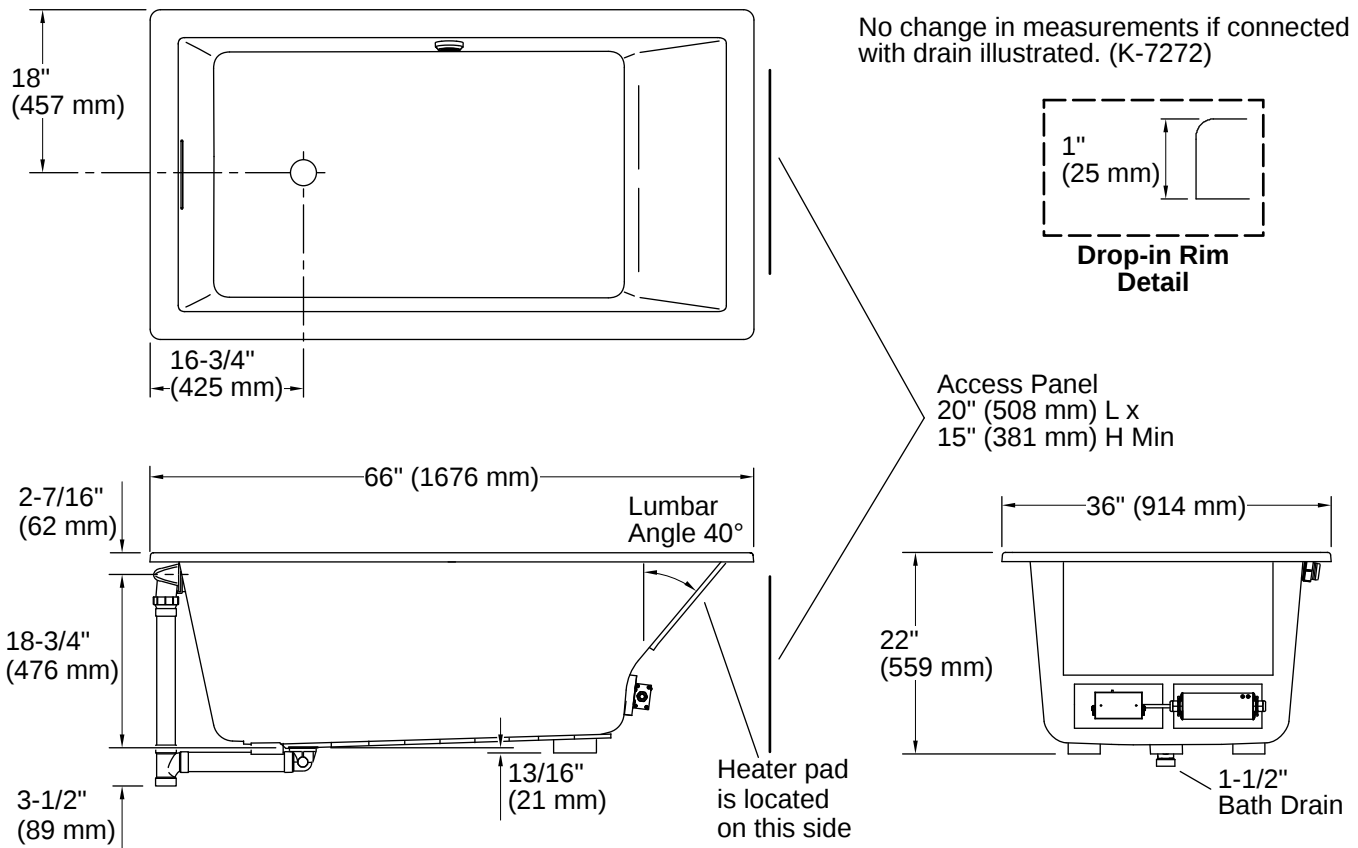
Heated Surface: 120 V, 0.5 A, 60 Hz, 65 W

Warranty

See website for detailed warranty information.

KOHLER® Plastic Baths and Shower Bases Lifetime Limited Warranty|KOHLER® Hydrotherapy Components Five-Year Limited Warranty





Installation

- Reversible drain
- Drop-in or undermount
- Requires 110 V electrical service
- Requires Clearflo slotted overflow bath drain (sold separately)

Installation Notes

Install this product according to the installation instructions.

Measure your actual product for rough-in details.

The hot water supply should be 70% of the capacity of the bath or greater. Installations will vary.

Kit is required for under-mount installations (sold separately).

