



Windward® | K-1115-R

72" x 42" alcove bath, right drain

Features

- Oval basin creates a spacious bathing experience
- Spacious design accommodates up to two bathers
- Integral lumbar support and armrests offer extra comfort while bathing
- Integral flange helps prevent water from seeping behind wall and simplifies alcove installation



Available Colors/Finishes

Color tiles intended for reference only.

- 0 White



1-800-4KOHLER (1-800-456-4537)
Kohler Co. reserves the right to make revisions without notice to product specifications.
For the most current specification sheet, go to www.kohler.com USA or www.kohler.ca Canada.
4-15-2026 3:19 - US-CA

THE BOLD LOOK
OF **KOHLER**®

Codes/Standards

CSA B45.5/IAPMO Z124
ASTM E162
ASTM E662

Warranty

See website for detailed warranty information.

KOHLER® Plastic Baths and Shower Bases Lifetime Limited Warranty

Technical Information

All product dimensions are nominal.

Drain Location:	Right
Drain Hole Diameter:	2-1/4" (57 mm)
Minimum Flat for Door:	3-1/16" (78 mm)
Basin Area, Bottom:	55" x 23-1/4" (1397 mm x 591 mm)
Basin Area, Top:	64" x 32" (1626 mm x 813 mm)
Water Depth:	15" (381 mm)
Water Capacity:	78.5 gal (297.2 L)
Minimum Floor Load:	38 lbs/ft ²
Weight:	100 lbs (45.4 kg)

Material

- Acrylic

Recommended Products/Accessories

K-23726 Drain treatment

K-23732 Tub & shower cleaner

K-11677 Adjustable drain, 20-gauge brass, for 18-1/2" to 20-1/2" baths

Required Products/Accessories

- K-T37392 Rotary-turn bath drain trim
- K-T37391 Rotary-turn bath drain trim

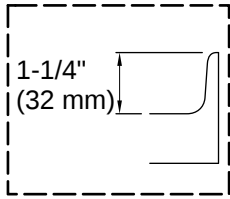
or

- K-78438 30" cable bath drain
- K-37383 Rough-in cable bath drain, PVC, 30" cable with tubing

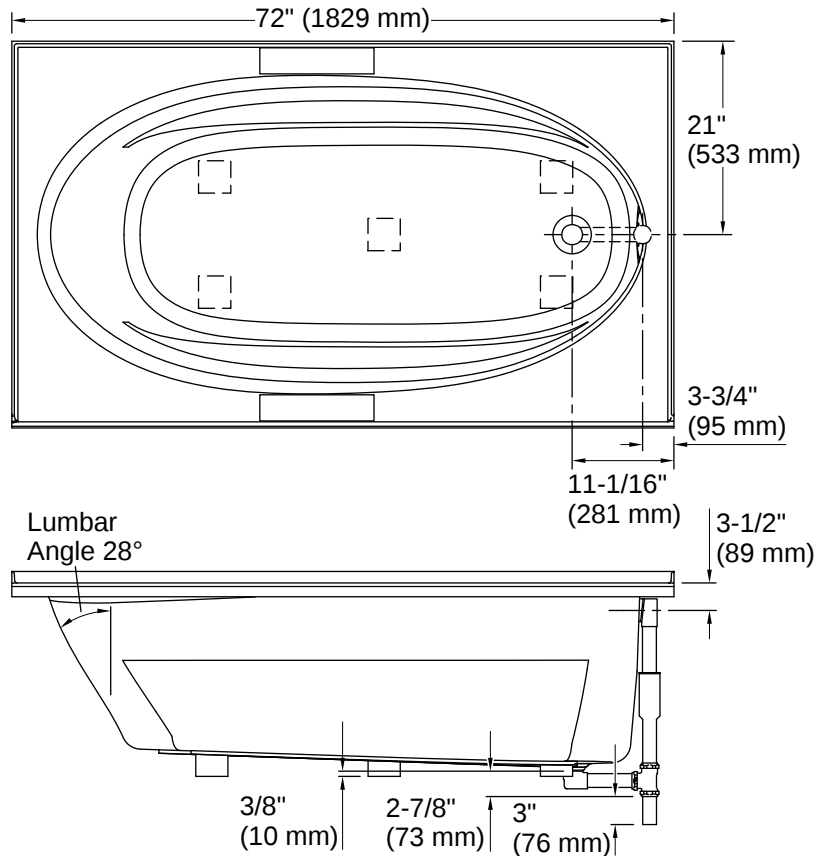
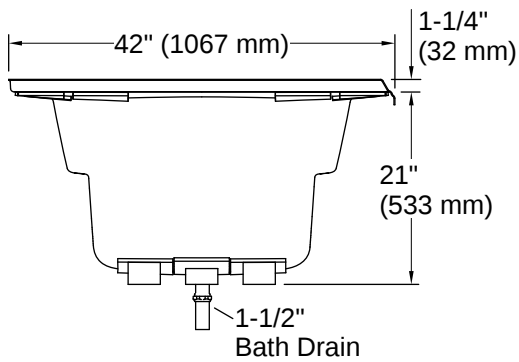


No change in measurements if connected with drain illustrated. (K-11677)

 Recommended Faucet Location



Tile Flange Detail



Installation

- Right drain
- Alcove

Installation Notes

Install this product according to the installation instructions.

Measure your actual product for rough-in details.
 The hot water supply should be 70% of the capacity of the bath or greater. Installations will vary.
 If installing a rim-mount faucet, make sure there is no interference above or below the deck before drilling any holes.

