



Components® | K-104MT86-SANA

Touchless lavatory faucet with Kinesis® sensor technology, Tube design, DC-powered, 0.5 gpm

Features

- Kinesis® technology with concealed sensor allows for a clean aesthetic and provides extraordinarily accurate and reliable actuation in varying installation environments
- Below-counter valving reduces the faucet footprint and provides easier service
- Design-forward aesthetic for commercial bathroom spaces
- 0.5 gpm (1.9 lpm) maximum flow rate with vandal-resistant outlet
- AA battery-powered; up to four-year battery life (approx. 105,000 cycles)
- On-demand usage with 30-second max. continual run cycle to prevent vandalism and save water
- 18" (457 mm) stainless steel braided flexible supply hose for easy installation
- Box includes: Spout assembly, grid drain, control box assembly, four AA batteries, supply hose, and standard mounting hardware
- Concealed mechanical mixer sold separately



Sustainability



1-800-4KOHLER (1-800-456-4537)

Kohler Co. reserves the right to make revisions without notice to product specifications.
For the most current specification sheet, go to www.kohler.com USA or www.kohler.ca Canada.
4-15-2026 6:53 - US-CA

THE BOLD LOOK
OF **KOHLER**

Codes/Standards

ADA, OBC, CSA B651 compliant when installed to the specific requirements of these regulations.

ADA CSA B651 OBC

ASME A112.18.1/CSA B125.1
NSF/ANSI/CAN 372
NSF/ANSI/CAN 61
DOE - Energy Policy Act 1992
California Energy Commission (CEC)
ADA
ICC/ANSI A117.1
CSA B651
OBC

Technical Information

All product dimensions are nominal.

Spout

Spout Reach: 5-3/4" (146 mm)

Flow Rate

Faucet Flow Rate: 0.5 gpm (1.9 l/min)

Valves

Included Valve: Thermostatic Mixer

Material

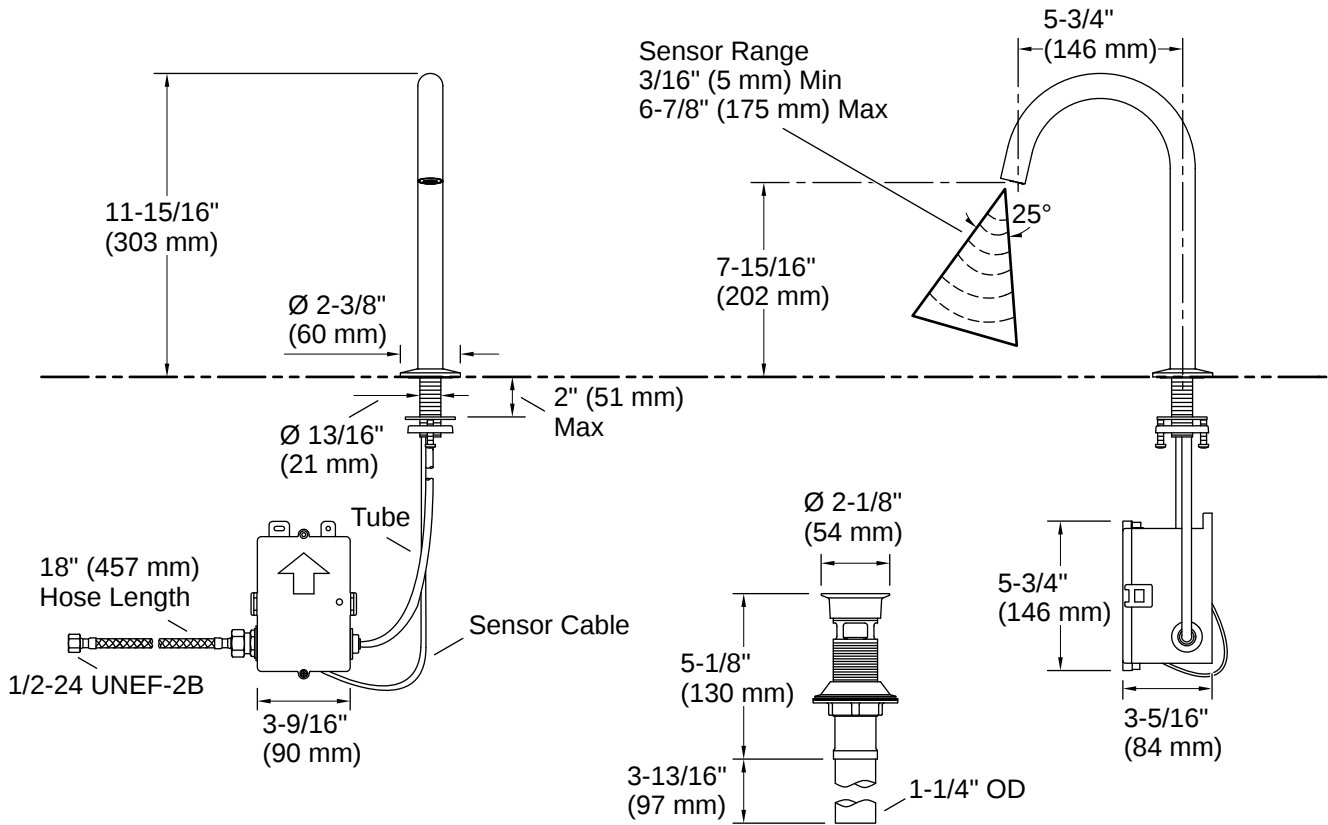
- Brass spout
-

Warranty

See website for detailed warranty information.

KOHLER® One-Year Limited Warranty





Installation

- Deck-mount

Installation Notes

Install this product according to the installation instructions.

ADA, OBC, CSA B651 compliant when installed to the specific requirements of these regulations.

